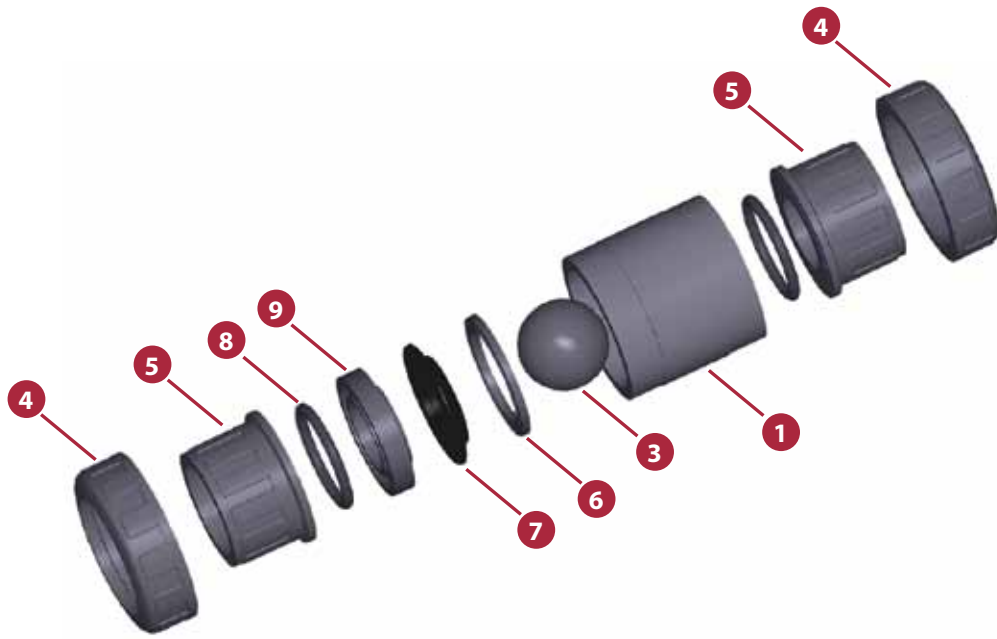


PVC-U CHECK VALVES - BALL SERIES

VÁLVULAS ANTI-RETORNO PVC-U - SERIE BOLA

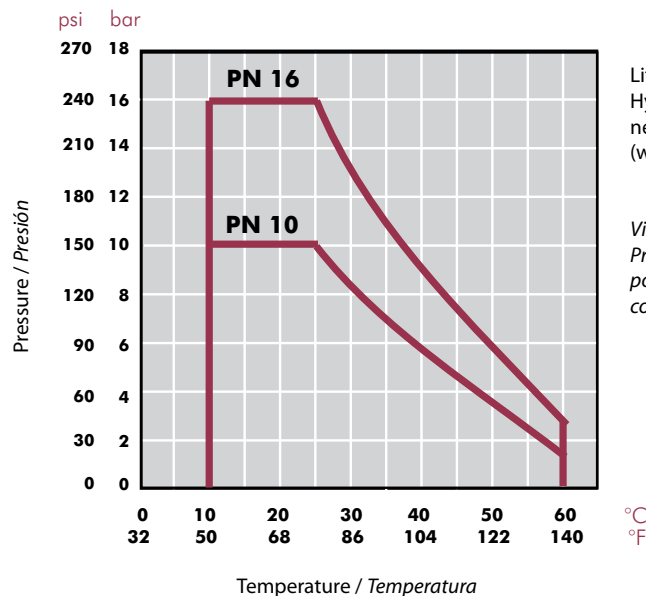


| | | |
|------------------------------|---|---|
| Sizes | Solvent cement D20 - D110 (DN15 - DN100) Threaded 1/2" - 4" | |
| Standards | Solvent socket - Metric, British standard, ASTM, JIS Threaded - BSP, NPT | EN ISO 1452, EN ISO 15493, BS 4346-1, ASTM D 2467, JIS K 6743 ISO 228-1, ASTM D 2464 |
| Working pressure | @ 20°C (73°F) D20-D63 (1/2" - 2"): PN 16 (240 psi) D75 - D110 (2 1/2" - 4"): PN 10 (150 psi) | |
| Minimum return pressure | 0,2 bar (3 psi) Minimal downstream pressure to keep the valve closed in horizontal position. Presión mínima aguas abajo para mantener la válvula cerrada en caso de instalación horizontal. | |
| Materials | O-rings: EPDM / FPM | |
| Characteristics | <ul style="list-style-type: none"> • Completely made in plastic - corrosion free. • 100% factory tested. • Excellent flow rate. • Easy installation and maintenance. • May be used either vertically and horizontally. • Available in PVC-U and Corzan® PVC-C. • Resistance to many inorganic chemicals. • Excellent flow characteristics. | <ul style="list-style-type: none"> • Fabricada completamente en plástico - libre de corrosión. • Probadas al 100% en fábrica. • Excelente coeficiente de caudal. • Fácil instalación y mantenimiento. • Se pueden usar indistintamente verticalmente o horizontalmente. • Disponibles en PVC-U y Corzan® PVC-C. • Resistencia a múltiples sustancias químicas inorgánicas. • Excelentes características de conducción. |
| Certifications / regulations | Check valve design regulation - ISO 16137:2006 | |



| FIG. | Parts | Despiece | Material |
|------|----------------------|------------------|------------|
| 1 | Body | Cuerpo | PVC-U |
| 3 | Ball | Bola | PVC-U |
| 4 | Union nut | Tuerca | PVC-U |
| 5 | End connector | Manguito enlace | PVC-U |
| 6 | Closing ring | Anillo de cierre | PVC-U |
| 7 | Body o-ring | Junta cuerpo | EPDM / FPM |
| 8 | End connector o-ring | Junta manguito | EPDM / FPM |
| 9 | Seal-carrier | Portajuntas | PVC-U |

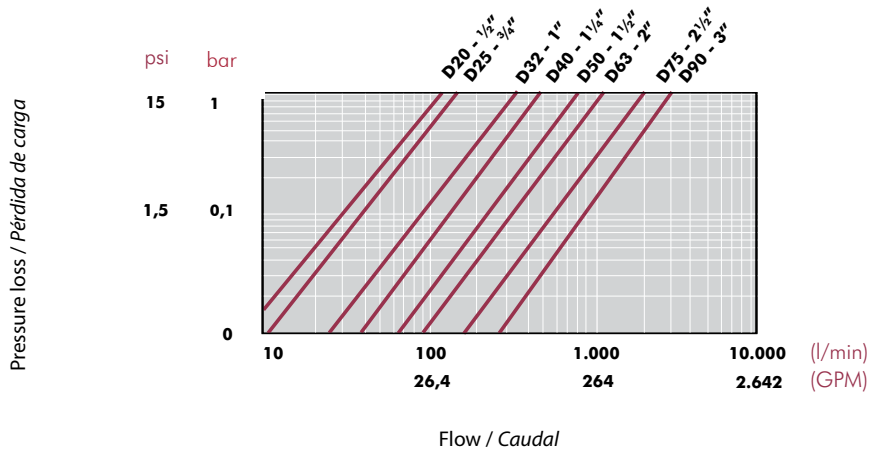
PRESSURE / TEMPERATURE GRAPH
DIAGRAMA PRESIÓN / TEMPERATURA



Life: 25 years
 Hydrostatic maximum pressure a component may withstand in continuous service (without overpressure)

Vida útil: 25 años
 Presión hidrostática máxima que un componente es capaz de soportar en servicio continuo (sin sobrepresión)

PRESSURE LOSS DIAGRAM
DIAGRAMA DE PÉRDIDAS DE CARGA



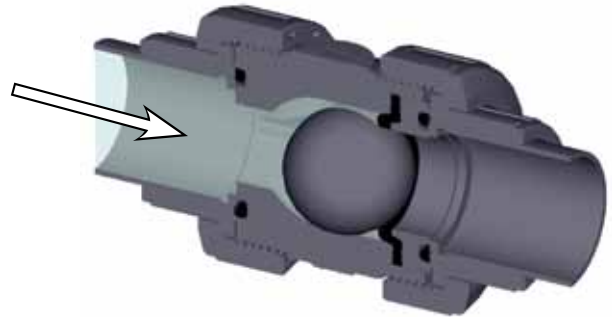
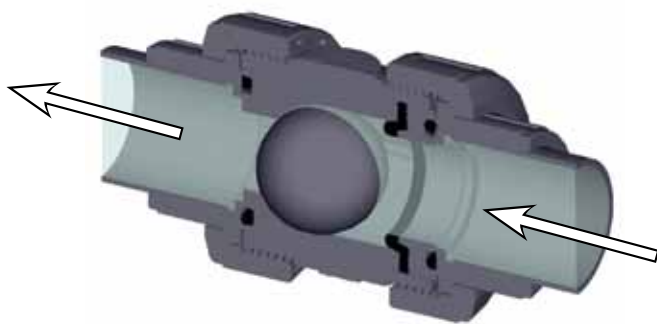
RELATIVE FLOW
FLUJO RELATIVO

| D | 20-1/2" | 25-3/4" | 32-1" | 40-1 1/4" | 50-1 1/2" | 63-2" | 75-2 1/2" | 90-3" |
|-------------------|---------|---------|-------|-----------|-----------|-------|-----------|-------|
| DN | 15 | 20 | 25 | 32 | 40 | 50 | 65 | 80 |
| Kv ₁₀₀ | 99 | 128 | 308 | 453 | 795 | 1040 | 1932 | 2754 |
| Cv | 7 | 9 | 22 | 32 | 56 | 73 | 135 | 193 |

$Cv = Kv_{100} / 14,28$
 Kv_{100} (l/min, $\Delta p = 1$ bar)
 Cv (GPM, $\Delta p = 1$ psi)

Open
Abierto

Closed
Cerrado



ASSEMBLY INSTRUCTIONS

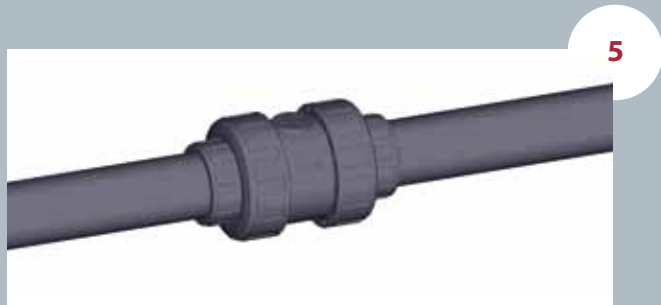
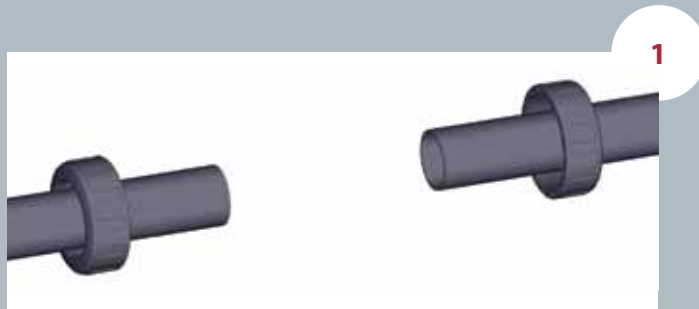
Solvent socket or threaded unions

Loosen the valve union nuts (4) and separate these and the end connectors (5) from the valve body. Pass the pipe through the nuts and then place the bushes over the end of the pipe. The socket unions should be glued onto the pipe using a PVC-U or PVC-C adhesive and pressure should not be applied to the system until a drying period of at least 1 hour per bar of working pressure has elapsed. In the case of threaded unions, PTFE tape should be applied to the male threads. The pipes can now be attached to the valve by hand tightening down the nuts.

INSTRUCCIONES DE MONTAJE

Uniones encoladas o roscadas

Afloje las tuercas (4) de la válvula y sepárelas de los manguitos (5). Introduzca las tuercas en los tubos y a continuación fije los manguitos en los extremos del tubo. Las uniones encoladas se realizarán con un adhesivo para tubos de PVC-U o PVC-C rígido y no se aplicará presión hasta transcurridas al menos 1 hora por bar. En las uniones roscadas se colocará cinta de PTFE en las roscas macho. A continuación ya podrá colocarse la válvula entre los manguitos y apretar a mano las tuercas sobre la válvula.



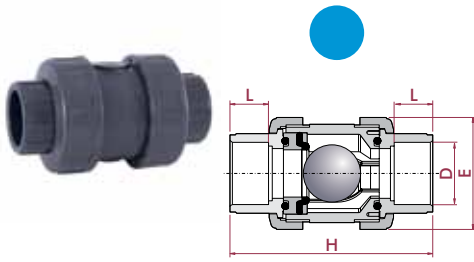
UP-B. 67. SF1 - BALL CHECK VALVE

Ball check valve

- PVC-U body
- Female solvent socket
- Metric series
- O-rings in EPDM

Válvula anti-retorno de bola

- Cuerpo en PVC-U
- Encolar hembra
- Serie métrica
- Anillos tóricos en EPDM



| D | DN | PN | REF. | CODE |
|-----|----|----|-----------|--------------|
| 20 | 15 | 16 | 05 67 220 | 22078 |
| 25 | 20 | 16 | 05 67 225 | 22079 |
| 32 | 25 | 16 | 05 67 232 | 22080 |
| 40 | 32 | 16 | 05 67 240 | 22174 |
| 50 | 40 | 16 | 05 67 250 | 25697 |
| 63 | 50 | 16 | 05 67 263 | 25698 |
| 75 | 65 | 10 | 05 67 275 | 22175 |
| 90 | 80 | 10 | 05 67 290 | 22176 |
| 110 | 80 | 10 | 05 67 310 | 22177 |

| L | H | E |
|----|-----|-----|
| 16 | 84 | 52 |
| 19 | 108 | 62 |
| 22 | 119 | 70 |
| 26 | 142 | 84 |
| 31 | 162 | 94 |
| 38 | 192 | 117 |
| 44 | 232 | 148 |
| 51 | 269 | 179 |
| 51 | 269 | 179 |

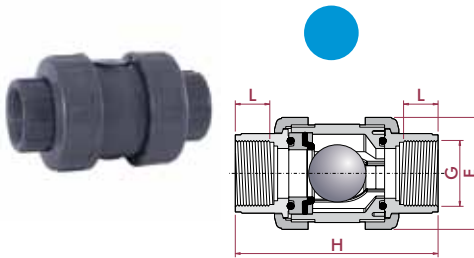
UP-B. 67. FT1 - BALL CHECK VALVE

Ball check valve

- PVC-U body
- BSP female thread
- O-Rings in EPDM

Válvula anti-retorno de bola

- Cuerpo en PVC-U
- Roscar hembra BSP
- Anillos tóricos en EPDM



| G | DN | PN | REF. | CODE |
|-----|----|----|-----------|--------------|
| ½" | 15 | 16 | 05 67 420 | 22061 |
| ¾" | 20 | 16 | 05 67 425 | 22062 |
| 1" | 25 | 16 | 05 67 432 | 22085 |
| 1¼" | 32 | 16 | 05 67 440 | 22086 |
| 1½" | 40 | 16 | 05 67 450 | 25699 |
| 2" | 50 | 16 | 05 67 463 | 25700 |
| 2½" | 65 | 10 | 05 67 475 | 22087 |
| 3" | 80 | 10 | 05 67 490 | 22088 |
| 4" | 80 | 10 | 05 67 510 | 22089 |

| L | H | E |
|----|-----|-----|
| 16 | 84 | 52 |
| 19 | 108 | 62 |
| 22 | 119 | 70 |
| 26 | 142 | 84 |
| 31 | 167 | 94 |
| 38 | 192 | 117 |
| 44 | 232 | 148 |
| 51 | 269 | 179 |
| 61 | 279 | 179 |

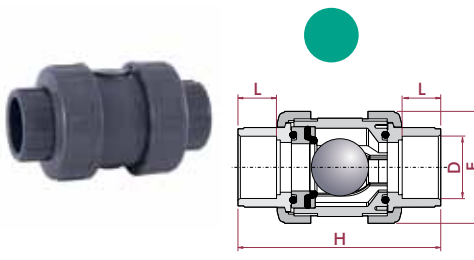
UP-B. 67. SF4 - BALL CHECK VALVE

Ball check valve

- PVC-U body
- Female solvent socket
- Metric series
- O-Rings in FPM

Válvula anti-retorno de bola

- Cuerpo en PVC-U
- Encolar hembra
- Serie métrica
- Anillos tóricos en FPM



| D | DN | PN | REF. | CODE |
|-----|----|----|--------------|--------------|
| 20 | 15 | 16 | 05 67 220 VI | 22090 |
| 25 | 20 | 16 | 05 67 225 VI | 22091 |
| 32 | 25 | 16 | 05 67 232 VI | 22092 |
| 40 | 32 | 16 | 05 67 240 VI | 22239 |
| 50 | 40 | 16 | 05 67 250 VI | 25701 |
| 63 | 50 | 16 | 05 67 263 VI | 25702 |
| 75 | 65 | 10 | 05 67 275 VI | 22240 |
| 90 | 80 | 10 | 05 67 290 VI | 22241 |
| 110 | 80 | 10 | 05 67 310 VI | 22242 |

| L | H | E |
|----|-----|-----|
| 16 | 84 | 52 |
| 19 | 108 | 62 |
| 22 | 119 | 70 |
| 26 | 142 | 84 |
| 31 | 162 | 94 |
| 38 | 192 | 117 |
| 44 | 232 | 148 |
| 51 | 269 | 179 |
| 51 | 269 | 179 |

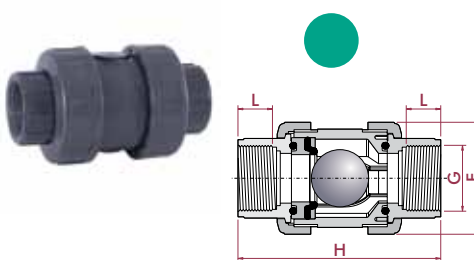
UP-B. 67. FT4 - BALL CHECK VALVE

Ball check valve

- PVC-U body
- BSP female thread
- O-Rings in FPM

Válvula anti-retorno de bola

- Cuerpo en PVC-U
- Roscar hembra BSP
- Anillos tóricos en FPM



| G | DN | PN | REF. | CODE |
|-----|----|----|--------------|--------------|
| ½" | 15 | 16 | 05 67 420 VI | 22243 |
| ¾" | 20 | 16 | 05 67 425 VI | 22244 |
| 1" | 25 | 16 | 05 67 432 VI | 22267 |
| 1¼" | 32 | 16 | 05 67 440 VI | 22268 |
| 1½" | 40 | 16 | 05 67 450 VI | 25703 |
| 2" | 50 | 16 | 05 67 463 VI | 25704 |
| 2½" | 65 | 10 | 05 67 475 VI | 22269 |
| 3" | 80 | 10 | 05 67 490 VI | 22270 |
| 4" | 80 | 10 | 05 67 510 VI | 22893 |

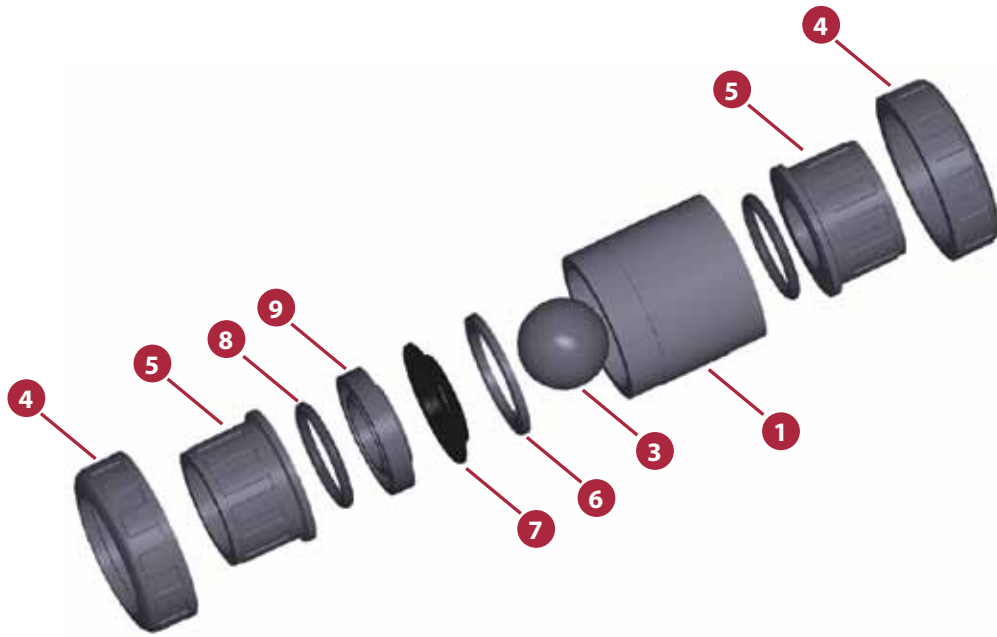
| L | H | E |
|----|-----|-----|
| 16 | 84 | 52 |
| 19 | 108 | 62 |
| 22 | 119 | 70 |
| 26 | 142 | 84 |
| 31 | 167 | 94 |
| 38 | 192 | 117 |
| 44 | 232 | 148 |
| 51 | 269 | 179 |
| 61 | 279 | 179 |

PVC-U CHECK VALVES - BALL SERIES

VÁLVULAS ANTI-RETORNO PVC-U - SERIE BOLA

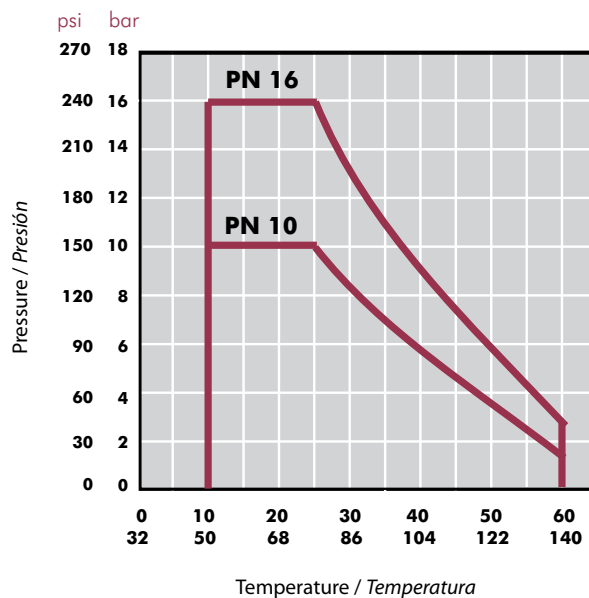


| | | |
|------------------------------|---|---|
| Sizes | Solvent cement D20 - D110 (DN15 - DN100) Threaded ½" - 4" | |
| Standards | Solvent socket - Metric, British standard, ASTM, JIS Threaded - BSP, NPT | EN ISO 1452, EN ISO 15493, BS 4346-1, ASTM D 2467, JIS K 6743 ISO 228-1, ASTM D 2464 |
| Working pressure | @ 20°C (73°F) D20-D63 (½" - 2"): PN 16 (240 psi) D75 - D110 (2½" - 4"): PN 10 (150 psi) | |
| Minimum return pressure | 0,2 bar (3 psi) Minimal downstream pressure to keep the valve closed in horizontal position. Presión mínima aguas abajo para mantener la válvula cerrada en caso de instalación horizontal. | |
| Materials | O-rings: EPDM / FPM | |
| Characteristics | <ul style="list-style-type: none"> • Completely made in plastic - corrosion free. • 100% factory tested. • Excellent flow rate. • Easy installation and maintenance. • May be used either vertically and horizontally. • Available in PVC-U and Corzan® PVC-C. • Resistance to many inorganic chemicals. • Excellent flow characteristics. | <ul style="list-style-type: none"> • Fabricada completamente en plástico - libre de corrosión. • Probadas al 100% en fábrica. • Excelente coeficiente de caudal. • Fácil instalación y mantenimiento. • Se pueden usar indistintamente verticalmente o horizontalmente. • Disponibles en PVC-U y Corzan® PVC-C. • Resistencia a múltiples sustancias químicas inorgánicas. • Excelentes características de conducción. |
| Certifications / regulations | Check valve design regulation - ISO 16137:2006 | |



| FIG. | Parts | Despiece | Material |
|------|----------------------|------------------|------------|
| 1 | Body | Cuerpo | PVC-U |
| 3 | Ball | Bola | PVC-U |
| 4 | Union nut | Tuerca | PVC-U |
| 5 | End connector | Manguito enlace | PVC-U |
| 6 | Closing ring | Anillo de cierre | PVC-U |
| 7 | Body o-ring | Junta cuerpo | EPDM / FPM |
| 8 | End connector o-ring | Junta manguito | EPDM / FPM |
| 9 | Seal-carrier | Portajuntas | PVC-U |

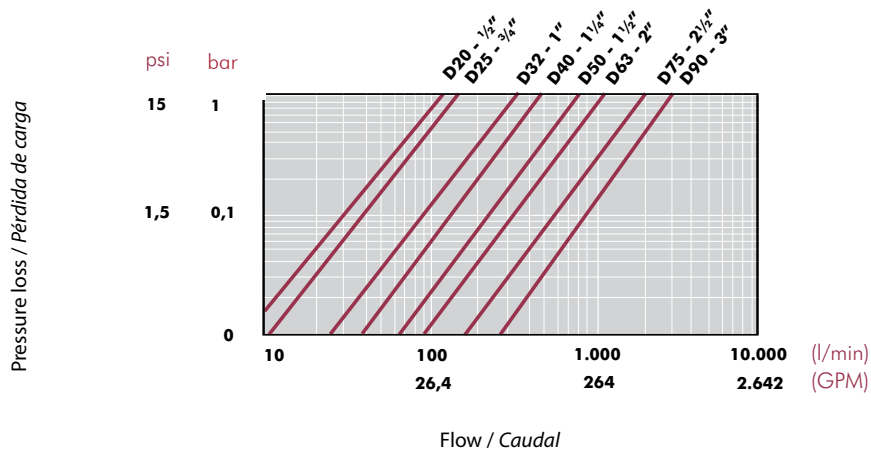
PRESSURE / TEMPERATURE GRAPH
DIAGRAMA PRESIÓN / TEMPERATURA



Life: 25 years
 Hydrostatic maximum pressure a component may withstand in continuous service (without overpressure)

Vida útil: 25 años
 Presión hidrostática máxima que un componente es capaz de soportar en servicio continuo (sin sobrepresión)

PRESSURE LOSS DIAGRAM
DIAGRAMA DE PÉRDIDAS DE CARGA



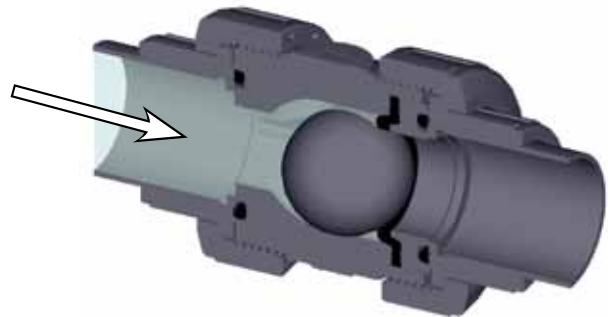
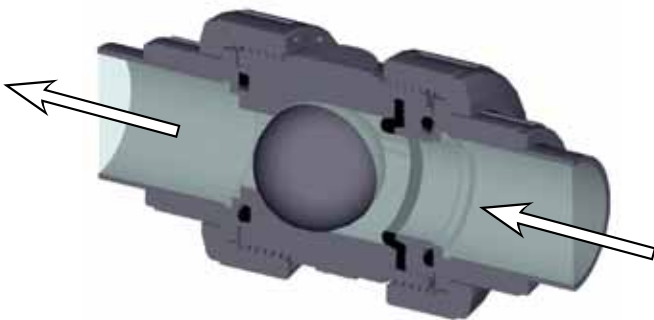
RELATIVE FLOW
FLUJO RELATIVO

| D | 20-1/2" | 25-3/4" | 32-1" | 40-1 1/4" | 50-1 1/2" | 63-2" | 75-2 1/2" | 90-3" |
|------------|---------|---------|-------|-----------|-----------|-------|-----------|-------|
| DN | 15 | 20 | 25 | 32 | 40 | 50 | 65 | 80 |
| Kv_{100} | 99 | 128 | 308 | 453 | 795 | 1040 | 1932 | 2754 |
| Cv | 7 | 9 | 22 | 32 | 56 | 73 | 135 | 193 |

$Cv = Kv_{100} / 14,28$
 Kv_{100} (l/min, $\Delta p = 1$ bar)
 Cv (GPM, $\Delta p = 1$ psi)

Open
Abierto

Closed
Cerrado



ASSEMBLY INSTRUCTIONS

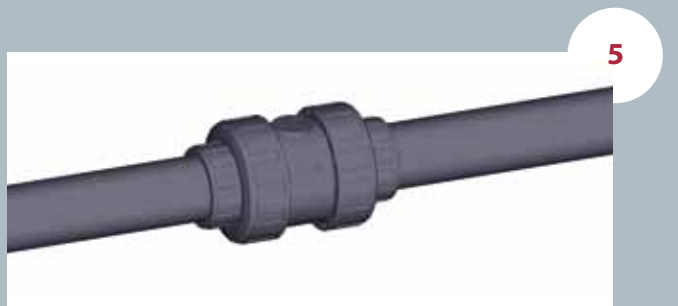
Solvent socket or threaded unions

Loosen the valve union nuts (4) and separate these and the end connectors (5) from the valve body. Pass the pipe through the nuts and then place the bushes over the end of the pipe. The socket unions should be glued onto the pipe using a PVC-U or PVC-C adhesive and pressure should not be applied to the system until a drying period of at least 1 hour per bar of working pressure has elapsed. In the case of threaded unions, PTFE tape should be applied to the male threads. The pipes can now be attached to the valve by hand tightening down the nuts.

INSTRUCCIONES DE MONTAJE

Uniones encoladas o roscadas

Afloje las tuercas (4) de la válvula y sepárelas de los manguitos (5). Introduzca las tuercas en los tubos y a continuación fije los manguitos en los extremos del tubo. Las uniones encoladas se realizarán con un adhesivo para tubos de PVC-U o PVC-C rígido y no se aplicará presión hasta transcurridas al menos 1 hora por bar. En las uniones roscadas se colocará cinta de PTFE en las roscas macho. A continuación ya podrá colocarse la válvula entre los manguitos y apretar a mano las tuercas sobre la válvula.



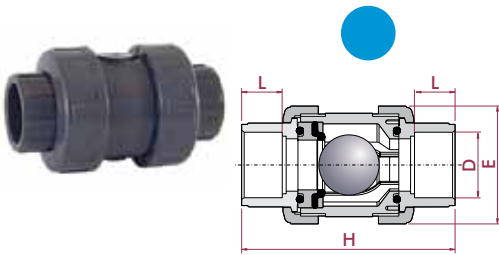
UP-B. **67**. SF1. BS - PVC-U BALL CHECK VALVE

Ball check valve

- PVC-U body
- Female solvent socket
- British Standard series
- O-rings in EPDM

Válvula anti-retorno de bola

- Cuerpo en PVC-U
- Encolar hembra
- Serie British Standard
- Anillos tóricos en EPDM



| D | DN | PN | REF. | CODE |
|-----|----|----|-------------|--------------|
| ½" | 15 | 16 | 05 67 901 E | 33010 |
| ¾" | 20 | 16 | 05 67 902 E | 33011 |
| 1" | 25 | 16 | 05 67 903 E | 33012 |
| 1¼" | 32 | 16 | 05 67 904 E | 33013 |
| 1½" | 40 | 16 | 05 67 905 E | 33014 |
| 2" | 50 | 16 | 05 67 906 E | 33015 |

| L | H | E |
|----|-----|-----|
| 16 | 84 | 52 |
| 19 | 108 | 62 |
| 22 | 119 | 70 |
| 26 | 142 | 84 |
| 31 | 162 | 94 |
| 38 | 192 | 117 |

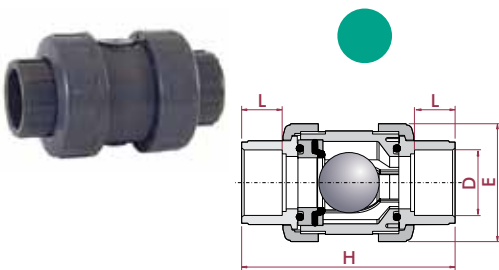
 UP-B. **67**. SF4. BS - PVC-U BALL CHECK VALVE

Ball check valve

- PVC-U body
- Female solvent socket
- British Standard series
- O-rings in FPM

Válvula anti-retorno de bola

- Cuerpo en PVC-U
- Encolar hembra
- Serie British Standard
- Anillos tóricos en FPM



| D | DN | PN | REF. | CODE |
|-----|----|----|--------------|--------------|
| ½" | 15 | 16 | 05 67 901 VE | 33016 |
| ¾" | 20 | 16 | 05 67 902 VE | 33017 |
| 1" | 25 | 16 | 05 67 903 VE | 33018 |
| 1¼" | 32 | 16 | 05 67 904 VE | 33019 |
| 1½" | 40 | 16 | 05 67 905 VE | 33020 |
| 2" | 50 | 16 | 05 67 906 VE | 33021 |

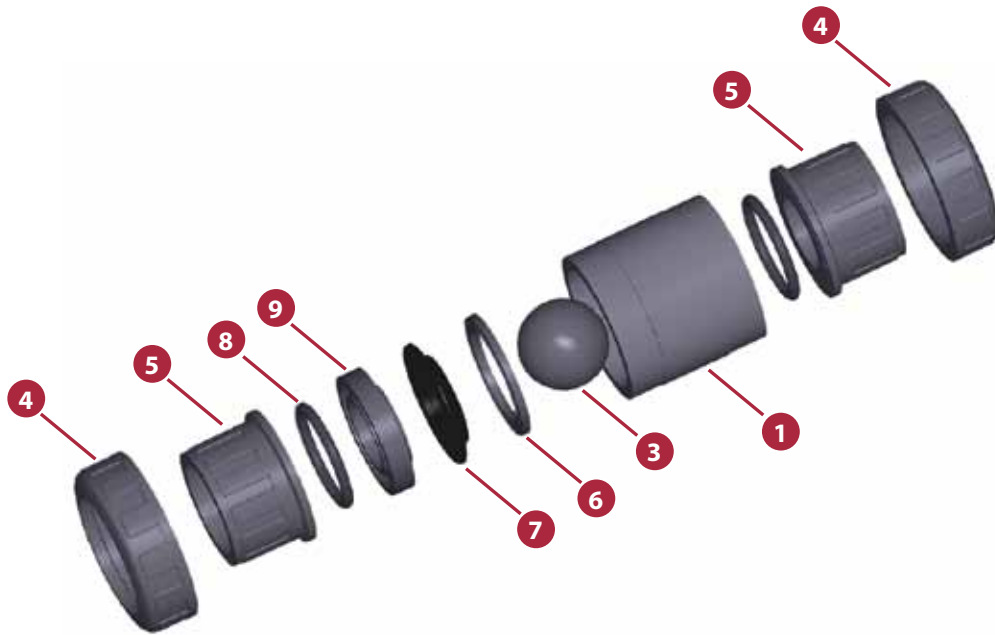
| L | H | E |
|----|-----|-----|
| 16 | 84 | 52 |
| 19 | 108 | 62 |
| 22 | 119 | 70 |
| 26 | 142 | 84 |
| 31 | 162 | 94 |
| 38 | 192 | 117 |

PVC-U CHECK VALVES - BALL SERIES

VÁLVULAS ANTI-RETORNO PVC-U - SERIE BOLA

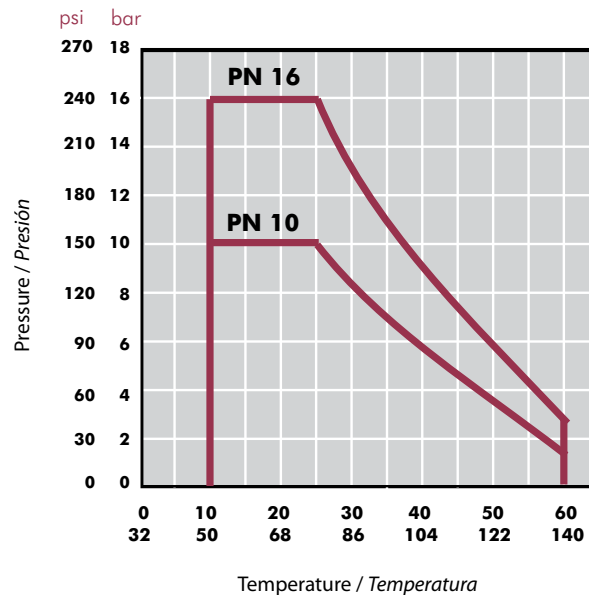


| | | |
|------------------------------|---|---|
| Sizes | Solvent cement D20 - D110 (DN15 - DN100) Threaded ½" - 4" | |
| Standards | Solvent socket - Metric, British standard, ASTM, JIS Threaded - BSP, NPT | EN ISO 1452, EN ISO 15493, BS 4346-1, ASTM D 2467, JIS K 6743 ISO 228-1, ASTM D 2464 |
| Working pressure | @ 20°C (73°F) D20-D63 (½" - 2"): PN 16 (240 psi) D75 - D110 (2½" - 4"): PN 10 (150 psi) | |
| Minimum return pressure | 0,2 bar (3 psi) Minimal downstream pressure to keep the valve closed in horizontal position. Presión mínima aguas abajo para mantener la válvula cerrada en caso de instalación horizontal. | |
| Materials | O-rings: EPDM / FPM | |
| Characteristics | <ul style="list-style-type: none"> • Completely made in plastic - corrosion free. • 100% factory tested. • Excellent flow rate. • Easy installation and maintenance. • May be used either vertically and horizontally. • Available in PVC-U and Corzan® PVC-C. • Resistance to many inorganic chemicals. • Excellent flow characteristics. | <ul style="list-style-type: none"> • Fabricada completamente en plástico - libre de corrosión. • Probadas al 100% en fábrica. • Excelente coeficiente de caudal. • Fácil instalación y mantenimiento. • Se pueden usar indistintamente verticalmente o horizontalmente. • Disponibles en PVC-U y Corzan® PVC-C. • Resistencia a múltiples sustancias químicas inorgánicas. • Excelentes características de conducción. |
| Certifications / regulations | Check valve design regulation - ISO 16137:2006 | |



| FIG. | Parts | Despiece | Material |
|------|----------------------|------------------|------------|
| 1 | Body | Cuerpo | PVC-U |
| 3 | Ball | Bola | PVC-U |
| 4 | Union nut | Tuerca | PVC-U |
| 5 | End connector | Manguito enlace | PVC-U |
| 6 | Closing ring | Anillo de cierre | PVC-U |
| 7 | Body o-ring | Junta cuerpo | EPDM / FPM |
| 8 | End connector o-ring | Junta manguito | EPDM / FPM |
| 9 | Seal-carrier | Portajuntas | PVC-U |

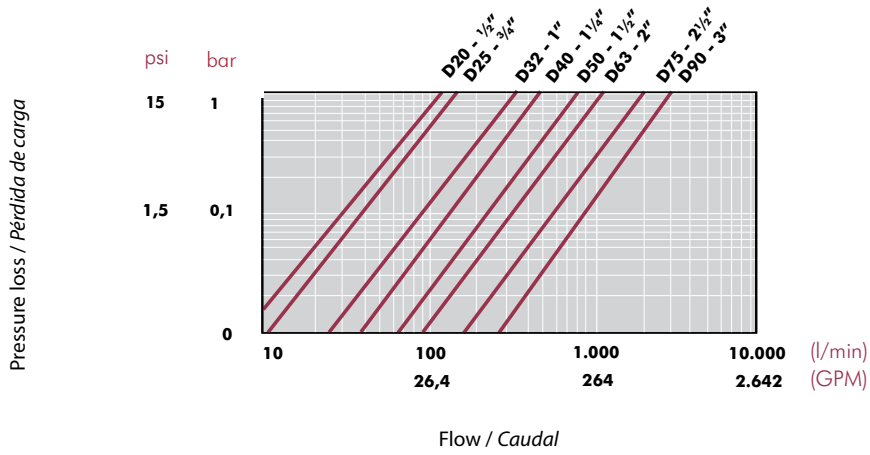
PRESSURE / TEMPERATURE GRAPH
DIAGRAMA PRESIÓN / TEMPERATURA



Life: 25 years
 Hydrostatic maximum pressure a component may withstand in continuous service (without overpressure)

Vida útil: 25 años
 Presión hidrostática máxima que un componente es capaz de soportar en servicio continuo (sin sobrepresión)

PRESSURE LOSS DIAGRAM
DIAGRAMA DE PÉRDIDAS DE CARGA



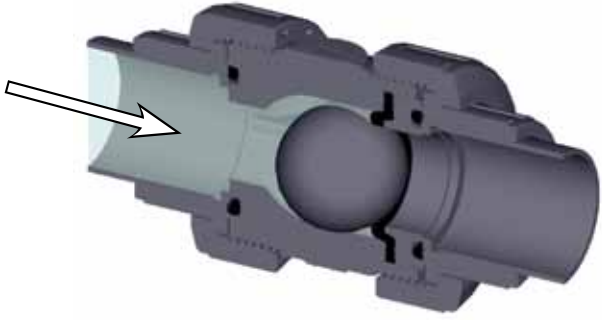
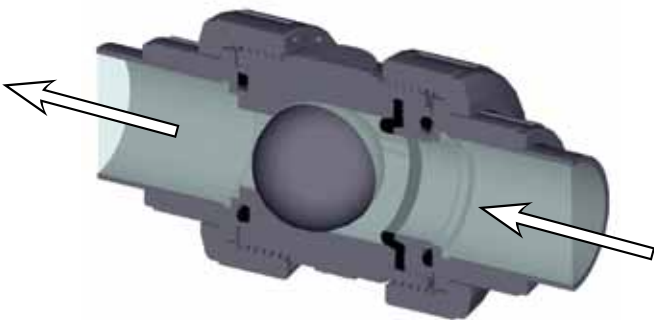
RELATIVE FLOW
FLUJO RELATIVO

| D | 20-1/2" | 25-3/4" | 32-1" | 40-1 1/4" | 50-1 1/2" | 63-2" | 75-2 1/2" | 90-3" |
|-------------------------|---------|---------|-------|-----------|-----------|-------|-----------|-------|
| DN | 15 | 20 | 25 | 32 | 40 | 50 | 65 | 80 |
| Kv₁₀₀ | 99 | 128 | 308 | 453 | 795 | 1040 | 1932 | 2754 |
| Cv | 7 | 9 | 22 | 32 | 56 | 73 | 135 | 193 |

$Cv = Kv_{100} / 14,28$
 Kv_{100} (l/min, $\Delta p = 1$ bar)
 Cv (GPM, $\Delta p = 1$ psi)

Open
Abierto

Closed
Cerrado



ASSEMBLY INSTRUCTIONS

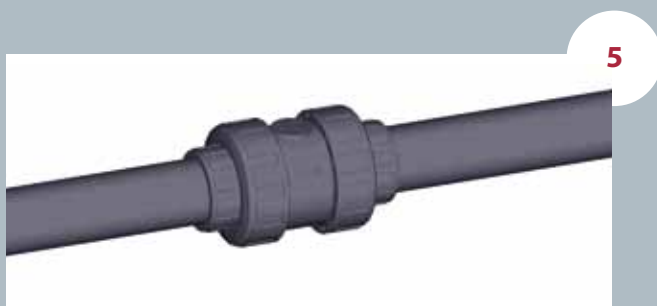
Solvent socket or threaded unions

Loosen the valve union nuts (4) and separate these and the end connectors (5) from the valve body. Pass the pipe through the nuts and then place the bushes over the end of the pipe. The socket unions should be glued onto the pipe using a PVC-U or PVC-C adhesive and pressure should not be applied to the system until a drying period of at least 1 hour per bar of working pressure has elapsed. In the case of threaded unions, PTFE tape should be applied to the male threads. The pipes can now be attached to the valve by hand tightening down the nuts.

INSTRUCCIONES DE MONTAJE

Uniones encoladas o roscadas

Afloje las tuercas (4) de la válvula y sepárelas de los manguitos (5). Introduzca las tuercas en los tubos y a continuación fije los manguitos en los extremos del tubo. Las uniones encoladas se realizarán con un adhesivo para tubos de PVC-U o PVC-C rígido y no se aplicará presión hasta transcurridas al menos 1 hora por bar. En las uniones roscadas se colocará cinta de PTFE en las roscas macho. A continuación ya podrá colocarse la válvula entre los manguitos y apretar a mano las tuercas sobre la válvula.



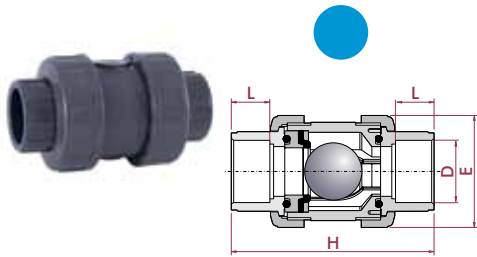
UP-B. **67**. SF1. MA - PVC-U BALL CHECK VALVE

Ball check valve

- PVC-U body
- Female solvent socket
- ASTM series
- O-rings in EPDM

Válvula anti-retorno de bola

- Cuerpo en PVC-U
- Encolar hembra
- Serie ASTM
- Anillos tóricos en EPDM



| D | DN | PN | REF. | CODE |
|-----|----|----|---------------|--------------|
| ½" | 15 | 16 | 05 67 801 ED | 27360 |
| ¾" | 20 | 16 | 05 67 802 ED | 27361 |
| 1" | 25 | 16 | 05 67 803 ED | 27362 |
| 1¼" | 32 | 16 | 05 67 804 ED | 27363 |
| 1½" | 40 | 16 | 05 67 805 ED | 27000 |
| 2" | 50 | 16 | 05 67 806 ED | 27001 |
| 2½" | 65 | 10 | 05 67 907 EMA | 27374 |
| 3" | 80 | 10 | 05 67 908 EMA | 27375 |
| 4" | 80 | 10 | 05 67 910 EMA | 27376 |

| L | H | E |
|----|-----|-----|
| 16 | 84 | 52 |
| 19 | 108 | 62 |
| 22 | 119 | 70 |
| 26 | 142 | 84 |
| 31 | 162 | 94 |
| 38 | 192 | 117 |
| 44 | 232 | 148 |
| 51 | 269 | 179 |
| 51 | 269 | 179 |

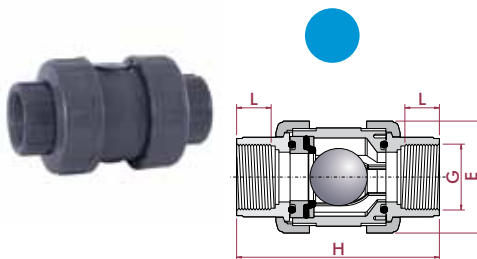
 UP-B. **67**. FT1. MA - PVC-U BALL CHECK VALVE

Ball check valve

- PVC-U body
- NPT female thread
- O-Rings in EPDM

Válvula anti-retorno de bola

- Cuerpo en PVC-U
- Roscar hembra NPT
- Anillos tóricos en EPDM



| G | DN | PN | REF. | CODE |
|-----|----|----|--------------|--------------|
| ½" | 15 | 16 | 05 67 801 ED | 27360 |
| ¾" | 20 | 16 | 05 67 802 ED | 27361 |
| 1" | 25 | 16 | 05 67 803 ED | 27362 |
| 1¼" | 32 | 16 | 05 67 804 ED | 27363 |
| 1½" | 40 | 16 | 05 67 805 ED | 27000 |
| 2" | 50 | 16 | 05 67 806 ED | 27001 |
| 2½" | 65 | 10 | 05 67 807 E | 27368 |
| 3" | 80 | 10 | 05 67 808 E | 27369 |
| 4" | 80 | 10 | 05 67 810 E | 27370 |

| L | H | E |
|----|-----|-----|
| 16 | 84 | 52 |
| 19 | 108 | 62 |
| 22 | 119 | 70 |
| 26 | 142 | 84 |
| 31 | 167 | 94 |
| 38 | 192 | 117 |
| 44 | 232 | 148 |
| 51 | 269 | 179 |
| 61 | 279 | 179 |

COMBO VERSION

- 1½" - 2": valve with solvent socket unions + spare threaded unions in the same box
- 2½" - 4": only solvent socket or threaded unions assembled

All the models including the grid for transforming the check valve in foot valve

VERSIÓN COMBO

- 1½" - 2": manguitos enlace encolar montados + manguitos enlace roscar añadidos en caja
- 2½" - 4": sólo manguitos enlace encolar o roscar

Todos los modelos incluyen rejilla para transformación en válvula de pie

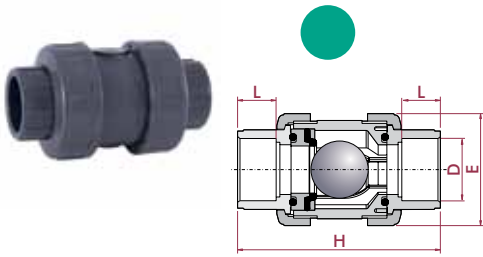
UP-B. 67. SF4. MA - PVC-U BALL CHECK VALVE

Ball check valve

- PVC-U body
- Female solvent socket
- ASTM series
- O-Rings in FPM

Válvula anti-retorno de bola

- Cuerpo en PVC-U
- Encolar hembra
- Serie ASTM
- Anillos tóricos en FPM



| D | DN | PN | REF. | CODE |
|-----|----|----|----------------|--------------|
| ½" | 15 | 16 | 05 67 801 VED | 27364 |
| ¾" | 20 | 16 | 05 67 802 VED | 27365 |
| 1" | 25 | 16 | 05 67 803 VED | 27366 |
| 1¼" | 32 | 16 | 05 67 804 VED | 27367 |
| 1½" | 40 | 16 | 05 67 805 VED | 27002 |
| 2" | 50 | 16 | 05 67 806 VED | 27003 |
| 2½" | 65 | 10 | 05 67 907 VEMA | 27377 |
| 3" | 80 | 10 | 05 67 908 VEMA | 27378 |
| 4" | 80 | 10 | 05 67 910 VEMA | 27379 |

| L | H | E |
|----|-----|-----|
| 16 | 84 | 52 |
| 19 | 108 | 62 |
| 22 | 119 | 70 |
| 26 | 142 | 84 |
| 31 | 162 | 94 |
| 38 | 192 | 117 |
| 44 | 232 | 148 |
| 51 | 269 | 179 |
| 51 | 269 | 179 |

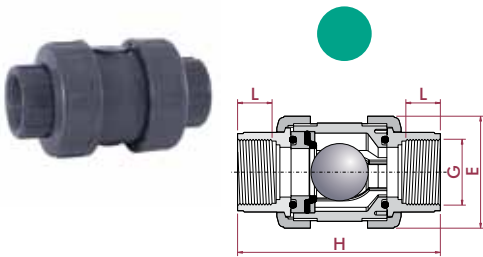
UP-B. 67. FT4. MA - PVC-U BALL CHECK VALVE

Ball check valve

- PVC-U body
- NPT female thread
- O-Rings in FPM

Válvula anti-retorno de bola

- Cuerpo en PVC-U
- Roscar hembra NPT
- Anillos tóricos en FPM



| G | DN | PN | REF. | CODE |
|-----|----|----|---------------|--------------|
| ½" | 15 | 16 | 05 67 801 VED | 27364 |
| ¾" | 20 | 16 | 05 67 802 VED | 27365 |
| 1" | 25 | 16 | 05 67 803 VED | 27366 |
| 1¼" | 32 | 16 | 05 67 804 VED | 27367 |
| 1½" | 40 | 16 | 05 67 805 VED | 27002 |
| 2" | 50 | 16 | 05 67 806 VED | 27003 |
| 2½" | 65 | 10 | 05 67 807 VE | 27371 |
| 3" | 80 | 10 | 05 67 808 VE | 27372 |
| 4" | 80 | 10 | 05 67 810 VE | 27373 |

| L | H | E |
|----|-----|-----|
| 16 | 84 | 52 |
| 19 | 108 | 62 |
| 22 | 119 | 70 |
| 26 | 142 | 84 |
| 31 | 167 | 94 |
| 38 | 192 | 117 |
| 44 | 232 | 148 |
| 51 | 269 | 179 |
| 61 | 279 | 179 |

COMBO VERSION

- 1½" - 2": valve with solvent socket unions + spare threaded unions in the same box
- 2½" - 4": only solvent sokcet or threaded unions assembled

All the models including the grid for transforming the check valve in foot valve

VERSIÓN COMBO

- 1½" - 2": manguitos enlace encolar montados + manguitos enlace roscar añadidos en caja
- 2½" - 4": sólo manguitos enlace encolar o roscar

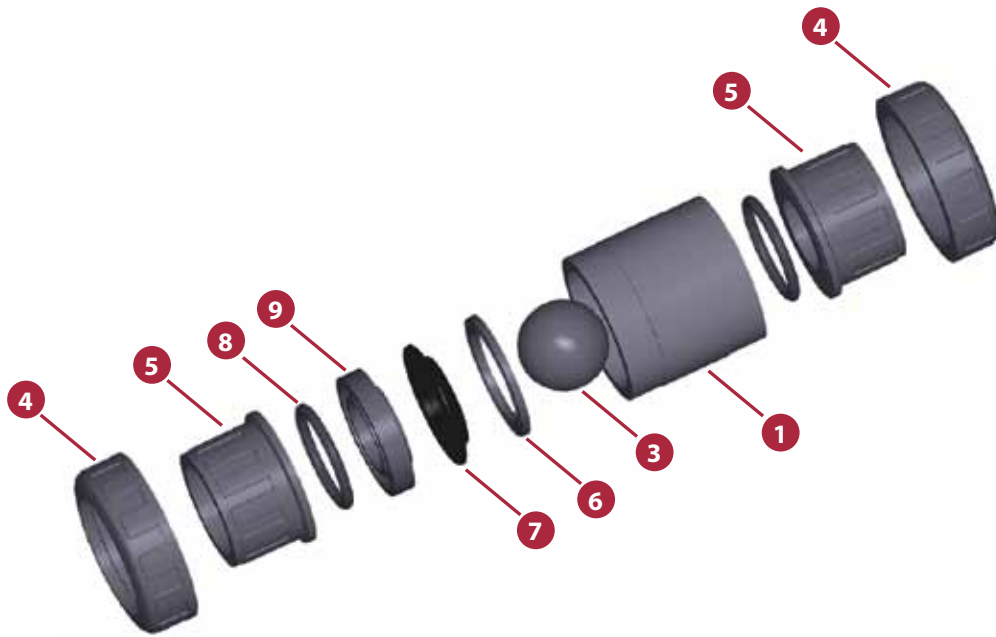
Todos los modelos incluyen rejilla para transformación en válvula de pie

PVC-C CHECK VALVES - BALL SERIES

VÁLVULAS ANTI-RETORNO PVC-C - SERIE BOLA

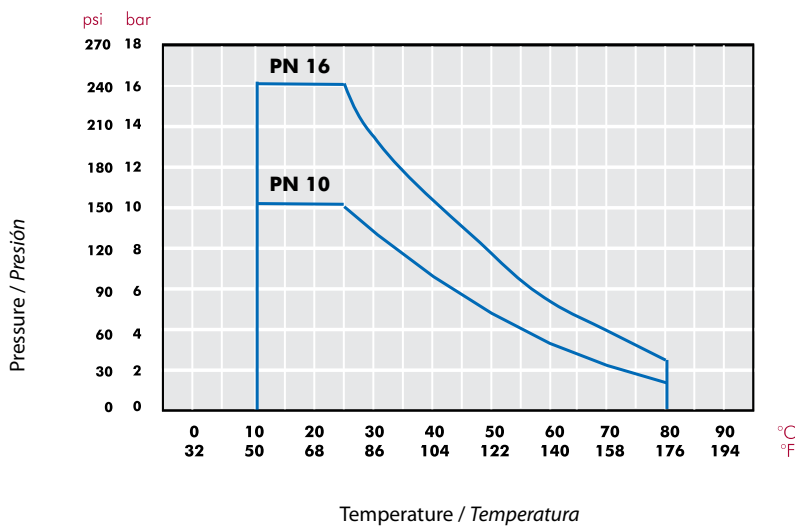


| | | |
|------------------------------|---|---|
| Sizes | Solvent cement D20 - D110 (DN15 - DN100) Threaded ½" - 4" | |
| Standards | Solvent socket - Metric, British standard, ASTM, JIS Threaded - BSP, NPT | EN ISO 1452, EN ISO 15493, BS 4346-1, ASTM D 2467, JIS K 6743 ISO 228-1, ASTM D 2464 |
| Working pressure | @ 20°C (73°F) D20-D63 (½" - 2"): PN 16 (240 psi) D75 - D110 (2½" - 4"): PN 10 (150 psi) | |
| Minimum return pressure | 0,2 bar (3 psi) Minimal downstream pressure to keep the valve closed in horizontal position. Presión mínima aguas abajo para mantener la válvula cerrada en caso de instalación horizontal. | |
| Materials | O-rings: EPDM / FPM | |
| Characteristics | <ul style="list-style-type: none"> • Completely made in plastic - corrosion free. • 100% factory tested. • Excellent flow rate. • Easy installation and maintenance. • May be used either vertically and horizontally. • Available in PVC-U and Corzan® PVC-C. • Resistance to many inorganic chemicals. • Excellent flow characteristics. | <ul style="list-style-type: none"> • Fabricada completamente en plástico - libre de corrosión. • Probadas al 100% en fábrica. • Excelente coeficiente de caudal. • Fácil instalación y mantenimiento. • Se pueden usar indistintamente verticalmente o horizontalmente. • Disponibles en PVC-U y Corzan® PVC-C. • Resistencia a múltiples sustancias químicas inorgánicas. • Excelentes características de conducción. |
| Certifications / regulations | Check valve design regulation - ISO 16137:2006 | |



| FIG. | Parts | Despiece | Material |
|------|----------------------|------------------|------------|
| 1 | Body | Cuerpo | PVC-C |
| 3 | Ball | Bola | PVC-C |
| 4 | Union nut | Tuerca | PVC-C |
| 5 | End connector | Manguito enlace | PVC-C |
| 6 | Closing ring | Anillo de cierre | PVC-C |
| 7 | Body o-ring | Junta cuerpo | EPDM / FPM |
| 8 | End connector o-ring | Junta manguito | EPDM / FPM |
| 9 | Seal-carrier | Portajuntas | PVC-C |

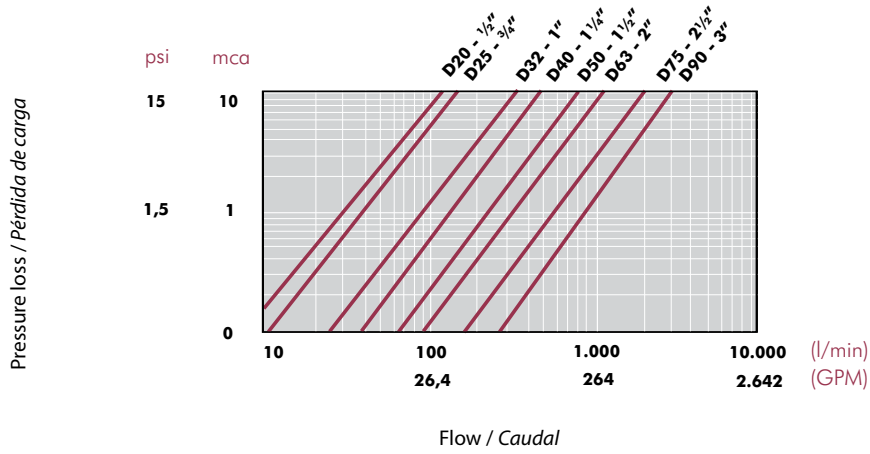
PRESSURE / TEMPERATURE GRAPH
DIAGRAMA PRESIÓN / TEMPERATURA



Life: 25 years
 Hydrostatic maximum pressure a component may withstand in continuous service (without overpressure)

Vida útil: 25 años
 Presión hidrostática máxima que un componente es capaz de soportar en servicio continuo (sin sobrepresión)

PRESSURE LOSS DIAGRAM
DIAGRAMA DE PÉRDIDAS DE CARGA



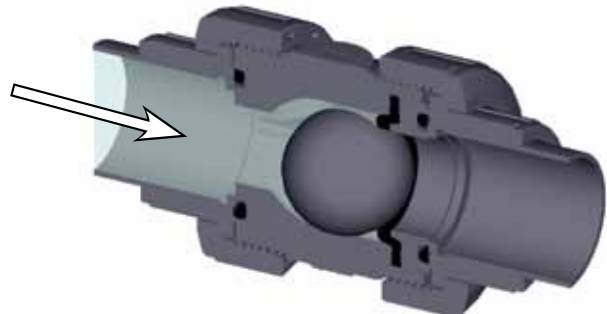
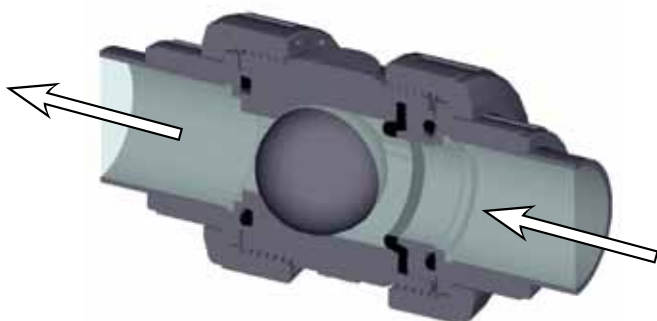
RELATIVE FLOW
FLUJO RELATIVO

| D | 20-1/2" | 25-3/4" | 32-1" | 40-1 1/4" | 50-1 1/2" | 63-2" | 75-2 1/2" | 90-3" |
|------------|---------|---------|-------|-----------|-----------|-------|-----------|-------|
| DN | 15 | 20 | 25 | 32 | 40 | 50 | 65 | 80 |
| Kv_{100} | 99 | 128 | 308 | 453 | 795 | 1040 | 1932 | 2754 |
| Cv | 7 | 9 | 22 | 32 | 56 | 73 | 135 | 193 |

$Cv = Kv_{100} / 14,28$
 Kv_{100} (l/min, $\Delta p = 1$ bar)
 Cv (GPM, $\Delta p = 1$ psi)

Open
Abierto

Closed
Cerrado



ASSEMBLY INSTRUCTIONS

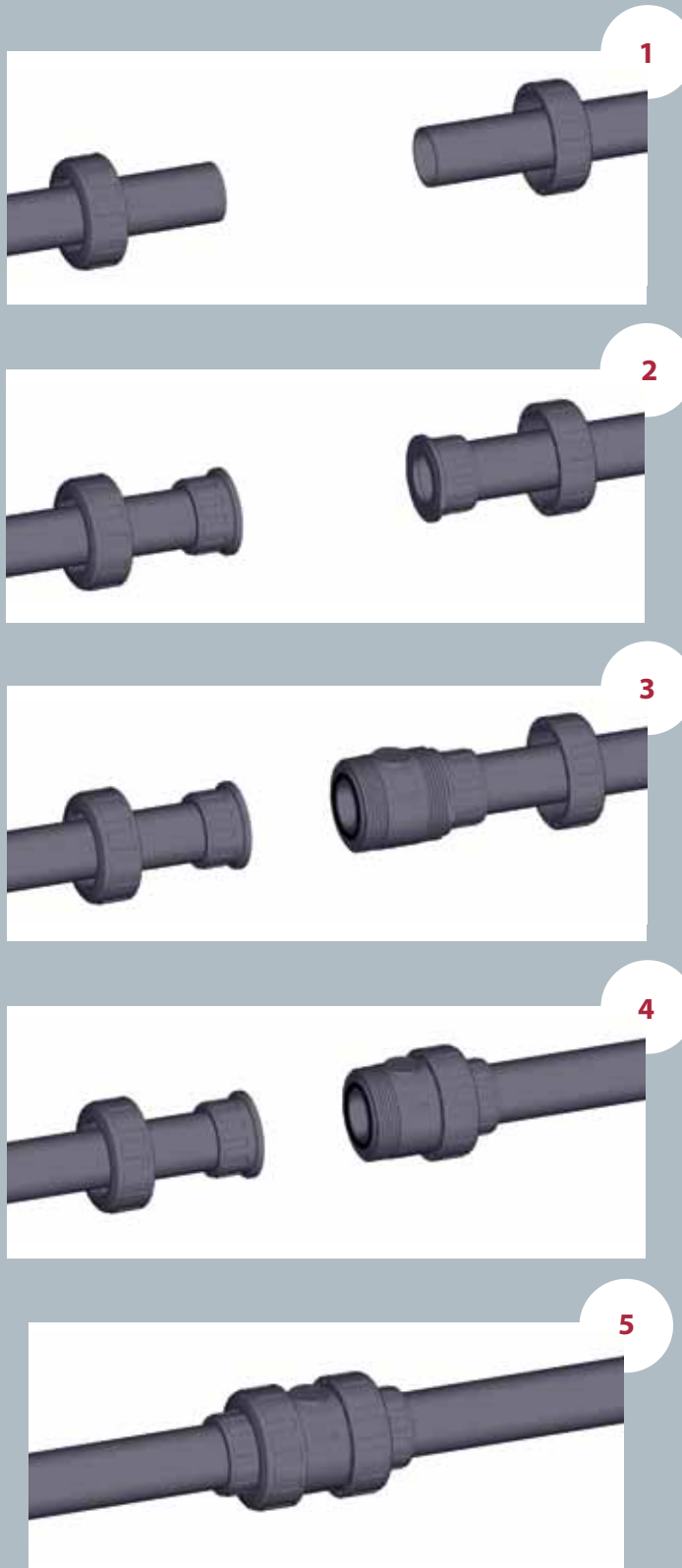
Solvent socket or threaded unions

Loosen the valve union nuts (4) and separate these and the end connectors (5) from the valve body. Pass the pipe through the nuts and then place the bushes over the end of the pipe. The socket unions should be glued onto the pipe using a PVC-U or PVC-C adhesive and pressure should not be applied to the system until a drying period of at least 1 hour per bar of working pressure has elapsed. In the case of threaded unions, PTFE tape should be applied to the male threads. The pipes can now be attached to the valve by hand tightening down the nuts.

INSTRUCCIONES DE MONTAJE

Uniones encoladas o roscadas

Afloje las tuercas (4) de la válvula y sepárelas de los manguitos (5). Introduzca las tuercas en los tubos y a continuación fije los manguitos en los extremos del tubo. Las uniones encoladas se realizarán con un adhesivo para tubos de PVC-U o PVC-C rígido y no se aplicará presión hasta transcurridas al menos 1 hora por bar. En las uniones roscadas se colocará cinta de PTFE en las roscas macho. A continuación ya podrá colocarse la válvula entre los manguitos y apretar a mano las tuercas sobre la válvula.

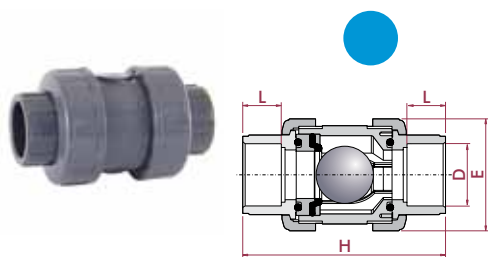


CP-B. 67. SF1 - PVC-C BALL CHECK VALVE
Ball check valve

- Corzan® PVC-C body
- Female solvent socket
- Metric series
- O-Rings in EPDM

Válvula anti-retorno de bola

- Cuerpo en Corzan® PVC-C
- Encolar hembra
- Serie métrica
- Anillos tóricos en EPDM



| D | DN | PN | REF. | CODE |
|-----|----|----|-----------|--------------|
| 20 | 15 | 16 | 35 67 220 | 27501 |
| 25 | 20 | 16 | 35 67 225 | 27502 |
| 32 | 25 | 16 | 35 67 232 | 27503 |
| 40 | 32 | 16 | 35 67 240 | 27504 |
| 50 | 40 | 16 | 35 67 250 | 27505 |
| 63 | 50 | 16 | 35 67 263 | 27506 |
| 75 | 65 | 10 | 35 67 275 | 27507 |
| 90 | 80 | 10 | 35 67 290 | 27508 |
| 110 | 80 | 10 | 35 67 310 | 27509 |

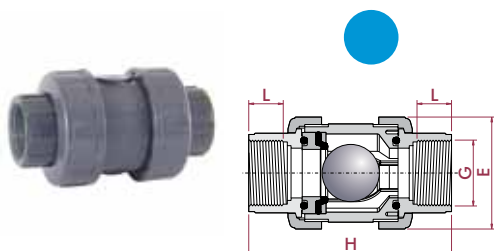
| L | H | E |
|----|-----|-----|
| 16 | 84 | 52 |
| 19 | 108 | 62 |
| 22 | 119 | 70 |
| 26 | 142 | 84 |
| 31 | 162 | 94 |
| 38 | 192 | 117 |
| 44 | 232 | 148 |
| 51 | 269 | 179 |
| 51 | 269 | 179 |

CP-B. 67. FT1 - PVC-C BALL CHECK VALVE
Ball check valve

- Corzan® PVC-C body
- BSP female thread
- O-Rings in EPDM

Válvula anti-retorno de bola

- Cuerpo en Corzan® PVC-C
- Roscar hembra BSP
- Anillos tóricos en EPDM



| G | DN | PN | REF. | CODE |
|-----|----|----|-----------|--------------|
| ½" | 15 | 16 | 35 67 420 | 27510 |
| ¾" | 20 | 16 | 35 67 425 | 27511 |
| 1" | 25 | 16 | 35 67 432 | 27512 |
| 1¼" | 32 | 16 | 35 67 440 | 27513 |
| 1½" | 40 | 16 | 35 67 450 | 27514 |
| 2" | 50 | 16 | 35 67 463 | 27515 |
| 2½" | 65 | 10 | 35 67 475 | 27516 |
| 3" | 80 | 10 | 35 67 490 | 27517 |
| 4" | 80 | 10 | 35 67 510 | 27518 |

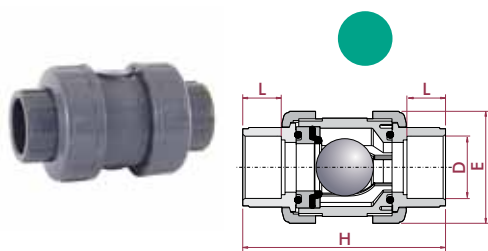
| L | H | E |
|----|-----|-----|
| 16 | 84 | 52 |
| 19 | 108 | 62 |
| 22 | 119 | 70 |
| 26 | 142 | 84 |
| 31 | 162 | 94 |
| 38 | 192 | 117 |
| 44 | 232 | 148 |
| 51 | 269 | 179 |
| 51 | 269 | 179 |

CP-B. 67. SF4 - PVC-C BALL CHECK VALVE
Ball check valve

- Corzan® PVC-C body
- Female solvent socket
- Metric series
- O-Rings in FPM

Válvula anti-retorno de bola

- Cuerpo en Corzan® PVC-C
- Encolar hembra
- Serie métrica
- Anillos tóricos en FPM



| D | DN | PN | REF. | CODE |
|-----|----|----|--------------|--------------|
| 20 | 15 | 16 | 35 67 220 VI | 27519 |
| 25 | 20 | 16 | 35 67 225 VI | 27520 |
| 32 | 25 | 16 | 35 67 232 VI | 27521 |
| 40 | 32 | 16 | 35 67 240 VI | 27522 |
| 50 | 40 | 16 | 35 67 250 VI | 27523 |
| 63 | 50 | 16 | 35 67 263 VI | 27524 |
| 75 | 65 | 10 | 35 67 275 VI | 27525 |
| 90 | 80 | 10 | 35 67 290 VI | 27526 |
| 110 | 80 | 10 | 35 67 310 VI | 27527 |

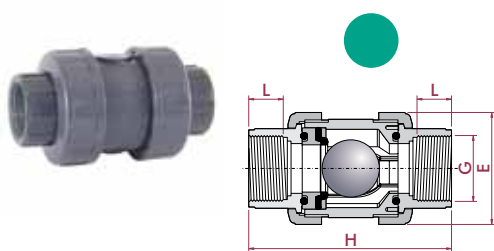
| L | H | E |
|----|-----|-----|
| 16 | 84 | 52 |
| 19 | 108 | 62 |
| 22 | 119 | 70 |
| 26 | 142 | 84 |
| 31 | 162 | 94 |
| 38 | 192 | 117 |
| 44 | 232 | 148 |
| 51 | 269 | 179 |
| 51 | 269 | 179 |

CP-B. 67. FT4 - PVC-C BALL CHECK VALVE
Ball check valve

- Corzan® PVC-C body
- BSP female thread
- O-Rings in FPM

Válvula anti-retorno de bola

- Cuerpo en Corzan® PVC-C
- Roscar hembra BSP
- Anillos tóricos en FPM



| G | DN | PN | REF. | CODE |
|-----|----|----|--------------|--------------|
| ½" | 15 | 16 | 35 67 420 VI | 27528 |
| ¾" | 20 | 16 | 35 67 425 VI | 27529 |
| 1" | 25 | 16 | 35 67 432 VI | 27530 |
| 1¼" | 32 | 16 | 35 67 440 VI | 27531 |
| 1½" | 40 | 16 | 35 67 450 VI | 27532 |
| 2" | 50 | 16 | 35 67 463 VI | 27533 |
| 2½" | 65 | 10 | 35 67 475 VI | 27534 |
| 3" | 80 | 10 | 35 67 490 VI | 27535 |
| 4" | 80 | 10 | 35 67 510 VI | 27536 |

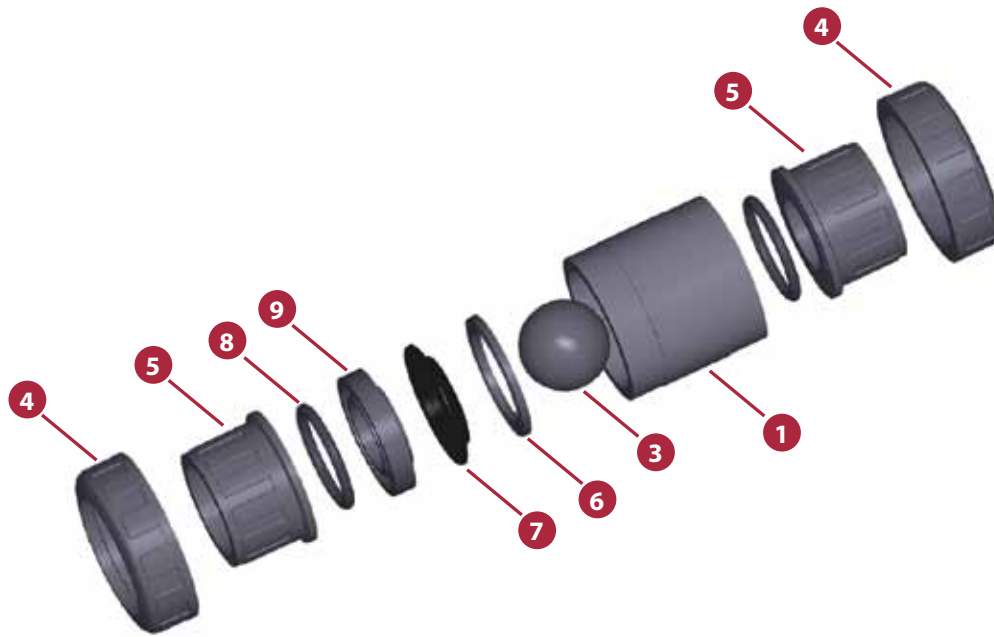
| L | H | E |
|----|-----|-----|
| 16 | 84 | 52 |
| 19 | 108 | 62 |
| 22 | 119 | 70 |
| 26 | 142 | 84 |
| 31 | 162 | 94 |
| 38 | 192 | 117 |
| 44 | 232 | 148 |
| 51 | 269 | 179 |
| 51 | 269 | 179 |

PVC-C CHECK VALVES - BALL SERIES

VÁLVULAS ANTI-RETORNO PVC-C - SERIE BOLA

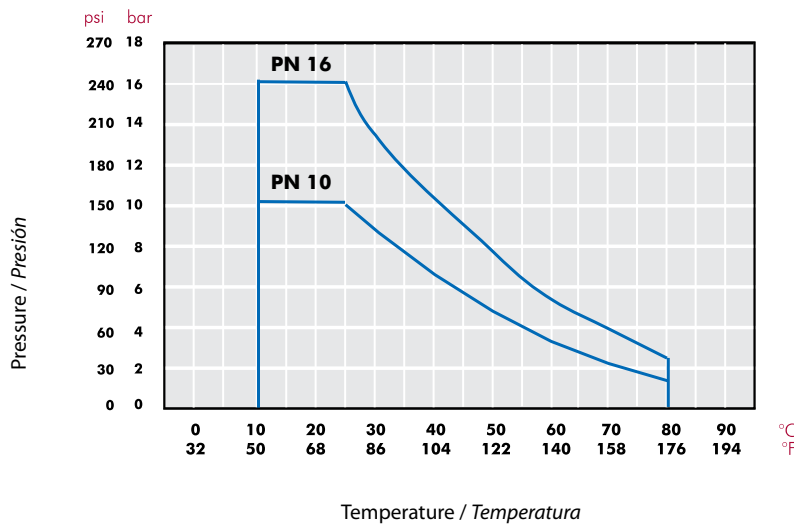


| | | |
|------------------------------|---|---|
| Sizes | Solvent cement D20 - D110 (DN15 - DN100) Threaded ½" - 4" | |
| Standards | Solvent socket - Metric, British standard, ASTM, JIS Threaded - BSP, NPT | EN ISO 1452, EN ISO 15493, BS 4346-1, ASTM D 2467, JIS K 6743 ISO 228-1, ASTM D 2464 |
| Working pressure | @ 20°C (73°F) D20-D63 (½" - 2"): PN 16 (240 psi) D75 - D110 (2½" - 4"): PN 10 (150 psi) | |
| Minimum return pressure | 0,2 bar (3 psi) Minimal downstream pressure to keep the valve closed in horizontal position. Presión mínima aguas abajo para mantener la válvula cerrada en caso de instalación horizontal. | |
| Materials | O-rings: EPDM / FPM | |
| Characteristics | <ul style="list-style-type: none"> • Completely made in plastic - corrosion free. • 100% factory tested. • Excellent flow rate. • Easy installation and maintenance. • May be used either vertically and horizontally. • Available in PVC-U and Corzan® PVC-C. • Resistance to many inorganic chemicals. • Excellent flow characteristics. | <ul style="list-style-type: none"> • Fabricada completamente en plástico - libre de corrosión. • Probadas al 100% en fábrica. • Excelente coeficiente de caudal. • Fácil instalación y mantenimiento. • Se pueden usar indistintamente verticalmente o horizontalmente. • Disponibles en PVC-U y Corzan® PVC-C. • Resistencia a múltiples sustancias químicas inorgánicas. • Excelentes características de conducción. |
| Certifications / regulations | Check valve design regulation - ISO 16137:2006 | |



| FIG. | Parts | Despiece | Material |
|------|----------------------|------------------|------------|
| 1 | Body | Cuerpo | PVC-C |
| 3 | Ball | Bola | PVC-C |
| 4 | Union nut | Tuerca | PVC-C |
| 5 | End connector | Manguito enlace | PVC-C |
| 6 | Closing ring | Anillo de cierre | PVC-C |
| 7 | Body o-ring | Junta cuerpo | EPDM / FPM |
| 8 | End connector o-ring | Junta manguito | EPDM / FPM |
| 9 | Seal-carrier | Portajuntas | PVC-C |

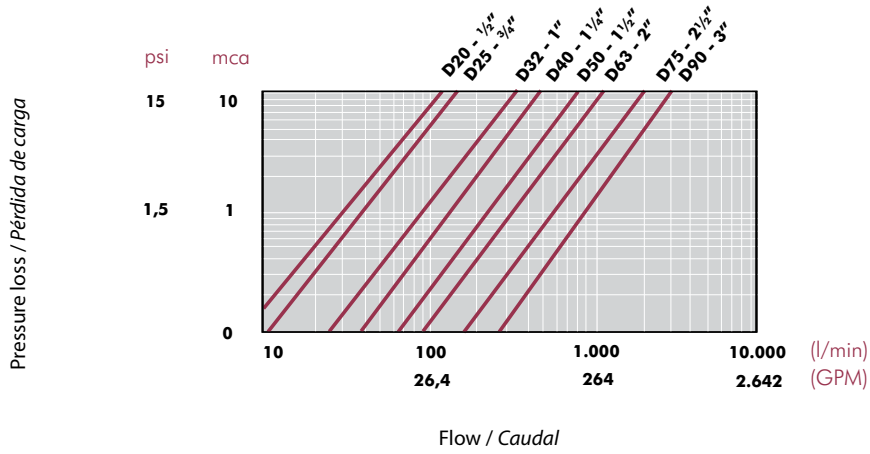
PRESSURE / TEMPERATURE GRAPH
DIAGRAMA PRESIÓN / TEMPERATURA



Life: 25 years
Hydrostatic maximum pressure a component may withstand in continuous service (without overpressure)

Vida útil: 25 años
Presión hidrostática máxima que un componente es capaz de soportar en servicio continuo (sin sobrepresión)

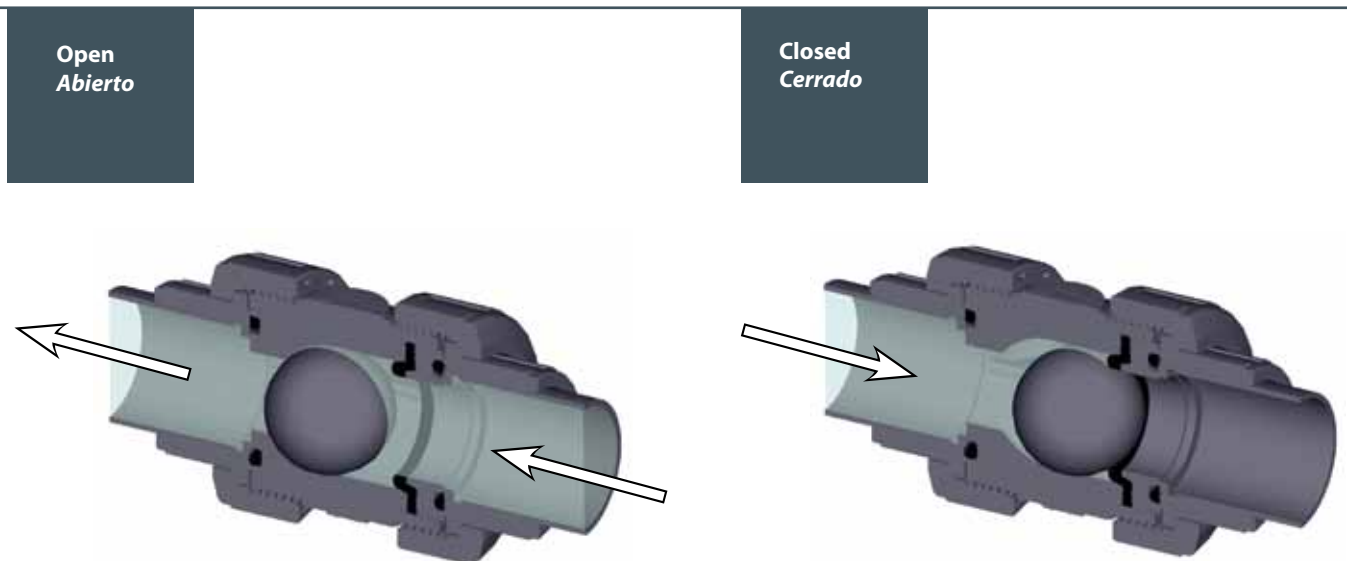
PRESSURE LOSS DIAGRAM
DIAGRAMA DE PÉRDIDAS DE CARGA



RELATIVE FLOW
FLUJO RELATIVO

| D | 20-1/2" | 25-3/4" | 32-1" | 40-1 1/4" | 50-1 1/2" | 63-2" | 75-2 1/2" | 90-3" |
|------------|---------|---------|-------|-----------|-----------|-------|-----------|-------|
| DN | 15 | 20 | 25 | 32 | 40 | 50 | 65 | 80 |
| K_{v100} | 99 | 128 | 308 | 453 | 795 | 1040 | 1932 | 2754 |
| Cv | 7 | 9 | 22 | 32 | 56 | 73 | 135 | 193 |

$Cv = K_{v100} / 14,28$
 K_{v100} (l/min, $\Delta p = 1$ bar)
 Cv (GPM, $\Delta p = 1$ psi)



ASSEMBLY INSTRUCTIONS

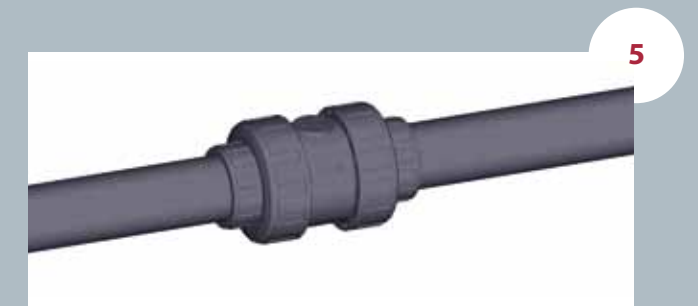
Solvent socket or threaded unions

Loosen the valve union nuts (4) and separate these and the end connectors (5) from the valve body. Pass the pipe through the nuts and then place the bushes over the end of the pipe. The socket unions should be glued onto the pipe using a PVC-U or PVC-C adhesive and pressure should not be applied to the system until a drying period of at least 1 hour per bar of working pressure has elapsed. In the case of threaded unions, PTFE tape should be applied to the male threads. The pipes can now be attached to the valve by hand tightening down the nuts.

INSTRUCCIONES DE MONTAJE

Uniones encoladas o roscadas

Afloje las tuercas (4) de la válvula y sepárelas de los manguitos (5). Introduzca las tuercas en los tubos y a continuación fije los manguitos en los extremos del tubo. Las uniones encoladas se realizarán con un adhesivo para tubos de PVC-U o PVC-C rígido y no se aplicará presión hasta transcurridas al menos 1 hora por bar. En las uniones roscadas se colocará cinta de PTFE en las roscas macho. A continuación ya podrá colocarse la válvula entre los manguitos y apretar a mano las tuercas sobre la válvula.



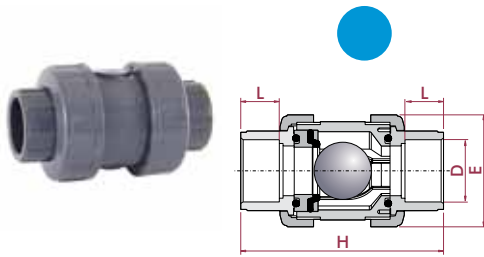
CP-B. 67. SF1. MA - PVC-C BALL CHECK VALVE

Ball check valve

- Corzan® PVC-C body
- Female solvent socket
- ASTM series
- O-Rings in EPDM

Válvula anti-retorno de bola

- Cuerpo en Corzan® PVC-C
- Encolar hembra
- Serie ASTM
- Anillos tóricos en EPDM



| D | DN | PN | REF. | CODE |
|-----|----|----|---------------|--------------|
| ½" | 15 | 16 | 35 67 801 ED | 27380 |
| ¾" | 20 | 16 | 35 67 802 ED | 27381 |
| 1" | 25 | 16 | 35 67 803 ED | 27382 |
| 1¼" | 32 | 16 | 35 67 804 ED | 27383 |
| 1½" | 40 | 16 | 35 67 805 ED | 27384 |
| 2" | 50 | 16 | 35 67 806 ED | 27385 |
| 2½" | 65 | 10 | 35 67 907 EMA | 27397 |
| 3" | 80 | 10 | 35 67 908 EMA | 27398 |
| 4" | 80 | 10 | 35 67 910 EMA | 27433 |

| L | H | E |
|----|-----|-----|
| 16 | 84 | 52 |
| 19 | 108 | 62 |
| 22 | 119 | 70 |
| 26 | 142 | 84 |
| 31 | 162 | 94 |
| 38 | 192 | 117 |
| 44 | 232 | 148 |
| 51 | 269 | 179 |
| 51 | 269 | 179 |

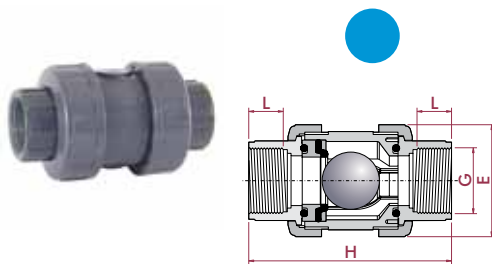
CP-B. 67. FT1. MA - PVC-C BALL CHECK VALVE

Ball check valve

- Corzan® PVC-C body
- NPT female thread
- O-Rings in EPDM

Válvula anti-retorno de bola

- Cuerpo en Corzan® PVC-C
- Roscar hembra NPT
- Anillos tóricos en EPDM



| G | DN | PN | REF. | CODE |
|-----|----|----|--------------|--------------|
| ½" | 15 | 16 | 35 67 801 ED | 27380 |
| ¾" | 20 | 16 | 35 67 802 ED | 27381 |
| 1" | 25 | 16 | 35 67 803 ED | 27382 |
| 1¼" | 32 | 16 | 35 67 804 ED | 27383 |
| 1½" | 40 | 16 | 35 67 805 ED | 27384 |
| 2" | 50 | 16 | 35 67 806 ED | 27385 |
| 2½" | 65 | 10 | 35 67 807 E | 27392 |
| 3" | 80 | 10 | 35 67 808 E | 27393 |
| 4" | 80 | 10 | 35 67 810 E | 27432 |

| L | H | E |
|----|-----|-----|
| 16 | 84 | 52 |
| 19 | 108 | 62 |
| 22 | 119 | 70 |
| 26 | 142 | 84 |
| 31 | 162 | 94 |
| 38 | 192 | 117 |
| 44 | 232 | 148 |
| 51 | 269 | 179 |
| 51 | 269 | 179 |

COMBO VERSION

- 1½" - 2": valve with solvent socket unions + spare threaded unions in the same box
- 2½" - 4": only solvent sokcet or threaded unions assembled

All the models including the grid for transforming the check valve in foot valve

VERSIÓN COMBO

- 1½" - 2": manguitos enlace encolar montados + manguitos enlace roscar añadidos en caja
- 2½" - 4": sólo manguitos enlace encolar o roscar

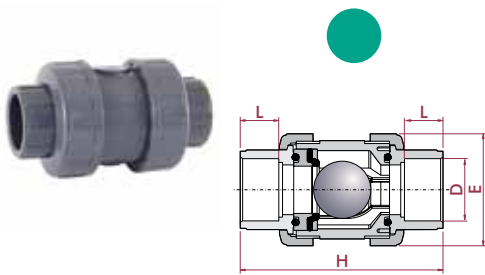
Todos los modelos incluyen rejilla para transformación en válvula de pie

CP-B. 67. SF4. MA - PVC-C BALL CHECK VALVE
Ball check valve

- Corzan® PVC-C body
- Female solvent socket
- ASTM series
- O-Rings in FPM

Válvula anti-retorno de bola

- Cuerpo en Corzan® PVC-C
- Encolar hembra
- Serie ASTM
- Anillos tóricos en FPM



| D | DN | PN | REF. | CODE |
|-----|----|----|----------------|--------------|
| ½" | 15 | 16 | 35 67 801 VED | 27386 |
| ¾" | 20 | 16 | 35 67 802 VED | 27387 |
| 1" | 25 | 16 | 35 67 803 VED | 27388 |
| 1¼" | 32 | 16 | 35 67 804 VED | 27389 |
| 1½" | 40 | 16 | 35 67 805 VED | 27390 |
| 2" | 50 | 16 | 35 67 806 VED | 27391 |
| 2½" | 65 | 10 | 35 67 907 VEMA | 27399 |
| 3" | 80 | 10 | 35 67 908 VEMA | 27400 |
| 4" | 80 | 10 | 35 67 910 VEMA | 27401 |

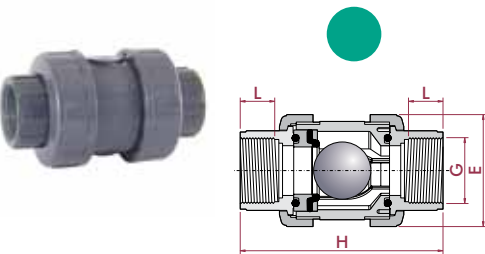
| L | H | E |
|----|-----|-----|
| 16 | 84 | 52 |
| 19 | 108 | 62 |
| 22 | 119 | 70 |
| 26 | 142 | 84 |
| 31 | 162 | 94 |
| 38 | 192 | 117 |
| 44 | 232 | 148 |
| 51 | 269 | 179 |
| 51 | 269 | 179 |

CP-B. 67. FT4. MA - PVC-C BALL CHECK VALVE
Ball check valve

- Corzan® PVC-C body
- NPT female thread
- O-Rings in FPM

Válvula anti-retorno de bola

- Cuerpo en Corzan® PVC-C
- Roscar hembra NPT
- Anillos tóricos en FPM



| G | DN | PN | REF. | CODE |
|-----|----|----|---------------|--------------|
| ½" | 15 | 16 | 35 67 801 VED | 27386 |
| ¾" | 20 | 16 | 35 67 802 VED | 27387 |
| 1" | 25 | 16 | 35 67 803 VED | 27388 |
| 1¼" | 32 | 16 | 35 67 804 VED | 27389 |
| 1½" | 40 | 16 | 35 67 805 VED | 27390 |
| 2" | 50 | 16 | 35 67 806 VED | 27391 |
| 2½" | 65 | 10 | 35 67 807 VE | 27394 |
| 3" | 80 | 10 | 35 67 808 VE | 27395 |
| 4" | 80 | 10 | 35 67 810 VE | 27396 |

| L | H | E |
|----|-----|-----|
| 16 | 84 | 52 |
| 19 | 108 | 62 |
| 22 | 119 | 70 |
| 26 | 142 | 84 |
| 31 | 162 | 94 |
| 38 | 192 | 117 |
| 44 | 232 | 148 |
| 51 | 269 | 179 |
| 51 | 269 | 179 |

COMBO VERSION

- 1½" - 2": valve with solvent socket unions + spare threaded unions in the same box
- 2½" - 4": only solvent sokcet or threaded unions assem- bled

All the models including the grid for transforming the check valve in foot valve

VERSIÓN COMBO

- 1½" - 2": manguitos enlace encolar montados + manguitos enlace roscar añadidos en caja
- 2½" - 4": sólo manguitos enlace encolar o roscar

Todos los modelos incluyen rejilla para transformación en válvula de pie