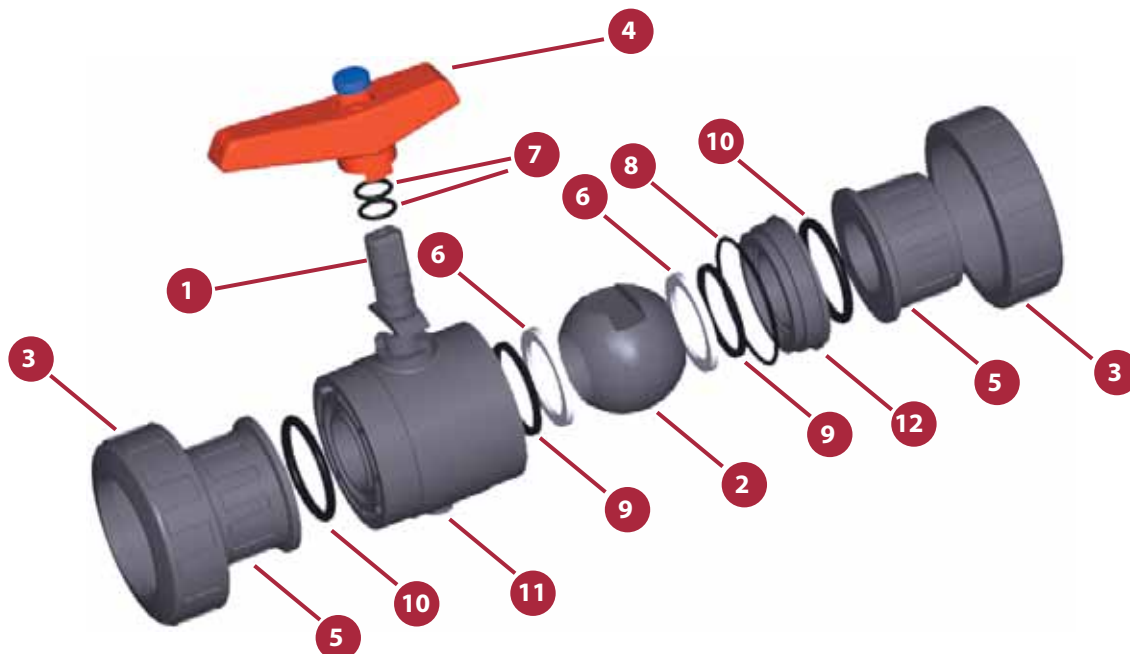


PVC-U BALL VALVES - STANDARD SERIES

VÁLVULAS DE BOLA PVC-U - SERIE STANDARD

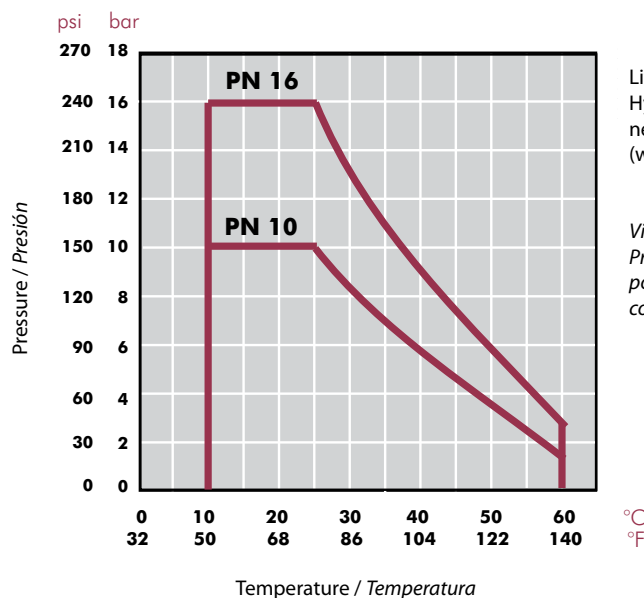


| | | |
|------------------------------|--|---|
| Sizes | Solvent cement D16 - D110 (DN10-DN100) Threaded 3/8" - 4" | |
| Standards | Solvent socket - Metric, British Standard, ASTM, JIS Threaded - BSP, NPT Compression - metric, IPS, CTS | EN ISO 1452, EN ISO 15493, BS 4346-1, ASTM D 2467, JIS K 6743 ISO 228-1, ASTM D 2464 |
| Working pressure | @ 20°C (73°F) D16 - D63 (3/8" - 2"): PN 16 (240 psi) D75 - D110 (2 1/2" - 4"): PN 10 (150 psi) | |
| Materials | O-rings: EPDM / FPM | Ball seats: HDPE / PTFE |
| Characteristics | <ul style="list-style-type: none"> • "Antiblock" system that avoids ball blockage. • 100% factory tested. • Minimal pressure drop. • Low operating torque. • Resistance to many inorganic chemicals. • Excellent flow characteristics. | <ul style="list-style-type: none"> • Sistema "Antiblock" que evita el bloqueo de la bola. • Probadas al 100% en fábrica. • Mínima pérdida de carga. • Bajo par de maniobra de apertura y cierre. • Resistencia a múltiples sustancias químicas inorgánicas. • Excelentes características de conducción. |
| Certifications / regulations | Ball valve design regulation - EN ISO 16135 NSF National Sanitation Foundation (USA) NSF 61 3/8" thru 4" Socketed 3/8" thru 4" Threaded ASTM F1970 | |



| FIG. | Parts | Despiece | Material |
|------|----------------------|---------------------|-------------|
| 1 | Shaft | Eje | PVC-U |
| 2 | Ball | Bola | PVC-U |
| 3 | Union nut | Tuerca | PVC-U |
| 4 | Handle | Conjunto maneta | PP |
| 5 | End connector | Manguito enlace | PVC-U |
| 6 | Ball seat | Asiento bola | HDPE / PTFE |
| 7 | Shaft o-ring | Junta eje | EPDM / FPM |
| 8 | Body o-ring | Junta cuerpo | EPDM / FPM |
| 9 | Dampener seal | Junta amortiguación | EPDM / FPM |
| 10 | End connector o-ring | Junta manguito | EPDM / FPM |
| 11 | Body | Cuerpo | PVC-U |
| 12 | Seal-carrier | Portajuntas | PVC-U |

PRESSURE / TEMPERATURE GRAPH
DIAGRAMA PRESIÓN / TEMPERATURA

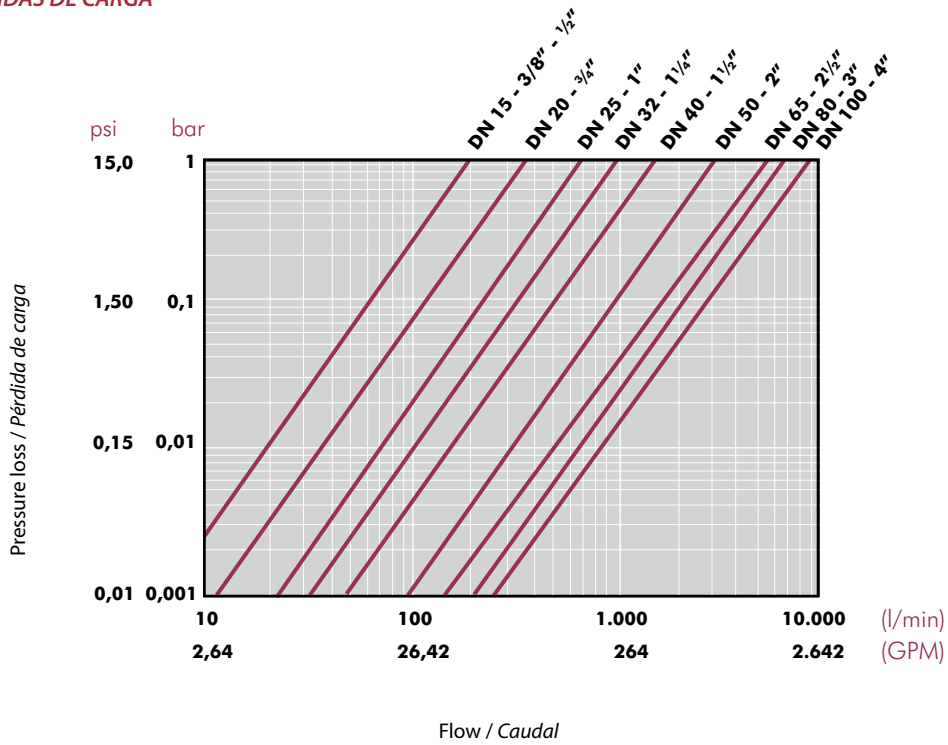


Life: 25 years
 Hydrostatic maximum pressure a component may withstand in continuous service (without overpressure)

Vida útil: 25 años
 Presión hidrostática máxima que un componente es capaz de soportar en servicio continuo (sin sobrepresión)

PRESSURE LOSS DIAGRAM

DIAGRAMA DE PÉRDIDAS DE CARGA



RELATIVE FLOW

FLUJO RELATIVO

| | | | | | | | | | | |
|-------------------|---------|---------|---------|-------|-----------|-----------|-------|-----------|-------|--------|
| D | 16-3/8" | 20-1/2" | 25-3/4" | 32-1" | 40-1 1/4" | 50-1 1/2" | 63-2" | 75-2 1/2" | 90-3" | 110-4" |
| DN | 10 | 15 | 20 | 25 | 32 | 40 | 50 | 65 | 80 | 100 |
| Kv ₁₀₀ | 75 | 190 | 380 | 690 | 980 | 1.600 | 3.000 | 5.500 | 6.800 | 8900 |
| Cv | 5,3 | 13,3 | 26,6 | 48,3 | 68,6 | 112 | 210,1 | 385,2 | 476,2 | 623,2 |

$Cv = Kv_{100} / 14,28$
 Kv_{100} (l/min, $\Delta p = 1$ bar)
 Cv (GPM, $\Delta p = 1$ psi)

OPERATIONAL TORQUE CHART

TABLA DE PAR DE MANIOBRA

| | | | | | | | | | | |
|--------|---------|---------|---------|-------|-----------|-----------|-------|-----------|-------|--------|
| D | 16-3/8" | 20-1/2" | 25-3/4" | 32-1" | 40-1 1/4" | 50-1 1/2" | 63-2" | 75-2 1/2" | 90-3" | 110-4" |
| DN | 10 | 15 | 20 | 25 | 32 | 40 | 50 | 65 | 80 | 100 |
| Nm | 1 | 1 | 2 | 3,5 | 3,5 | 5 | 15 | 25 | 45 | 60 |
| in-lbf | 8,9 | 8,9 | 17,7 | 31 | 31 | 44,3 | 132,8 | 221,3 | 398,3 | 531 |

Operating torque values at rated pressure (PN) and 20 °C in as new direct from the factory condition. Installation and operating conditions (pressure and temperature) will affect these values.

Los valores de par de giro se determinan a presión nominal (PN) y a 20 °C, en condiciones de salida de fábrica. Las condiciones de instalación y operación (presión y temperatura) afectarán a estos valores.

ASSEMBLY INSTRUCTIONS

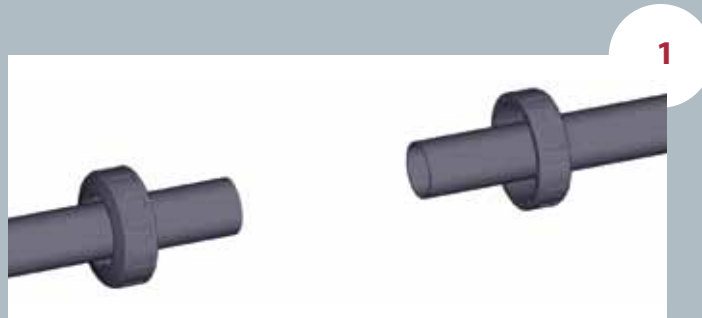
Solvent socket or threaded unions

Loosen the valve union nuts (3) and separate these and the end connectors (5) from the valve body. Pass the pipe through the nuts and then place the bushes over the end of the pipe. The socket unions should be glued onto the pipe using a PVC-U or PVC-C adhesive and pressure should not be applied to the system until a drying period of at least 1 hour per bar of working pressure has elapsed. In the case of threaded unions, PTFE tape should be applied to the male threads. The pipes can now be attached to the valve by hand tightening down the nuts.

INSTRUCCIONES DE MONTAJE

Uniones encoladas o roscadas

Afloje las tuercas (3) de la válvula y sepárelas de los manguitos (5). Introduzca las tuercas en los tubos y a continuación fije los manguitos en los extremos del tubo. Las uniones encoladas se realizarán con un adhesivo para tubos de PVC-U o PVC-C rígido y no se aplicará presión hasta transcurridas al menos 1 hora por bar. En las uniones roscadas se colocará cinta de PTFE en las roscas macho. A continuación ya podrá colocarse la válvula entre los manguitos y apretar a mano las tuercas sobre la válvula.


1

2

3

4

5

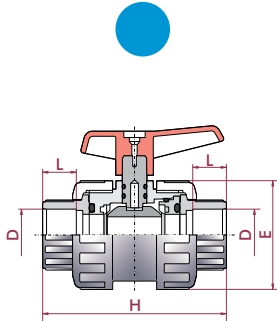
UP. 60. SF5 - STANDARD BALL VALVE

"Standard" ball valve

- PVC-U body
- Female solvent socket
- Metric series
- Ball seat in HDPE
- O-Rings in EPDM
- Blue dot

Válvula de bola "Standard"

- Cuerpo en PVC-U
- Encolar hembra
- Serie métrica
- Juntas asiento bola en HDPE
- Anillos tóricos en EPDM
- Distintivo azul



| D | DN | PN | REF. | CODE |
|-----|-----|----|-----------|--------------|
| 16 | 10 | 16 | 05 60 016 | 05352 |
| 20 | 15 | 16 | 05 60 020 | 02453 |
| 25 | 20 | 16 | 05 60 025 | 02454 |
| 32 | 25 | 16 | 05 60 032 | 02455 |
| 40 | 32 | 16 | 05 60 040 | 02456 |
| 50 | 40 | 16 | 05 60 050 | 02457 |
| 63 | 50 | 16 | 05 60 063 | 02458 |
| 75 | 65 | 10 | 05 60 075 | 02459 |
| 90 | 80 | 10 | 05 60 090 | 02460 |
| 110 | 80 | 10 | 05 60 110 | 02461 |
| 110 | 100 | 10 | 05 60 111 | 22797 |
| 125 | 100 | 10 | 05 60 125 | 23084 |

| L | H | E |
|----|-----|-----|
| 14 | 84 | 52 |
| 16 | 84 | 52 |
| 19 | 108 | 62 |
| 22 | 124 | 70 |
| 26 | 142 | 84 |
| 31 | 167 | 104 |
| 38 | 198 | 120 |
| 44 | 232 | 148 |
| 51 | 269 | 179 |
| 61 | 275 | 179 |
| 63 | 359 | 228 |
| 70 | 359 | 228 |

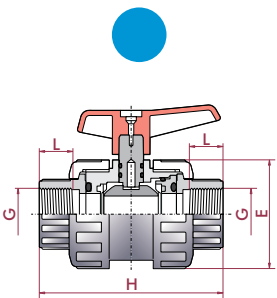
UP. 60. FT5 - STANDARD BALL VALVE

"Standard" ball valve

- PVC-U body
- BSP female thread
- Ball seat in HPDE
- O-Rings in EPDM
- Blue dot

Válvula de bola "Standard"

- Cuerpo en PVC-U
- Rosca hembra BSP
- Juntas asiento bola en HPDE
- Anillos tóricos en EPDM
- Distintivo azul



| G | DN | PN | REF. | CODE |
|--------|-----|----|-----------|--------------|
| 3/8" | 10 | 16 | 05 60 616 | 05353 |
| 1/2" | 15 | 16 | 05 60 620 | 02462 |
| 3/4" | 20 | 16 | 05 60 625 | 02463 |
| 1" | 25 | 16 | 05 60 632 | 02464 |
| 1 1/4" | 32 | 16 | 05 60 640 | 02465 |
| 1 1/2" | 40 | 16 | 05 60 650 | 02466 |
| 2" | 50 | 16 | 05 60 663 | 02467 |
| 2 1/2" | 65 | 10 | 05 60 675 | 02468 |
| 3" | 80 | 10 | 05 60 690 | 02469 |
| 4" | 80 | 10 | 05 60 710 | 05354 |
| 4" | 100 | 10 | 05 60 711 | 22798 |

| L | H | E |
|----|-----|-----|
| 14 | 84 | 52 |
| 16 | 84 | 52 |
| 19 | 108 | 62 |
| 22 | 124 | 70 |
| 26 | 142 | 84 |
| 31 | 167 | 104 |
| 38 | 198 | 120 |
| 44 | 232 | 148 |
| 51 | 269 | 179 |
| 61 | 275 | 179 |
| 63 | 359 | 228 |

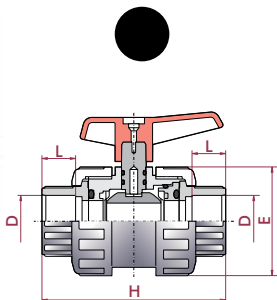
UP. 61. SF6 - STANDARD BALL VALVE

"Standard" ball valve

- PVC-U body
- Female solvent socket
- Metric series
- Ball seat in PTFE
- O-Rings in EPDM
- Black dot

Válvula de bola "Standard"

- Cuerpo en PVC-U
- Encolar hembra
- Serie métrica
- Juntas asiento bola en PTFE
- Anillos tóricos en EPDM
- Distintivo negro



| D | DN | PN | REF. | CODE |
|-----|-----|----|-----------|--------------|
| 16 | 10 | 16 | 05 61 016 | 05355 |
| 20 | 15 | 16 | 05 61 020 | 02470 |
| 25 | 20 | 16 | 05 61 025 | 02471 |
| 32 | 25 | 16 | 05 61 032 | 02472 |
| 40 | 32 | 16 | 05 61 040 | 02473 |
| 50 | 40 | 16 | 05 61 050 | 02474 |
| 63 | 50 | 16 | 05 61 063 | 02475 |
| 75 | 65 | 10 | 05 61 075 | 02476 |
| 90 | 80 | 10 | 05 61 090 | 02477 |
| 110 | 80 | 10 | 05 61 110 | 05356 |
| 110 | 100 | 10 | 05 61 111 | 22065 |

| L | H | E |
|----|-----|-----|
| 14 | 84 | 52 |
| 16 | 84 | 52 |
| 19 | 108 | 62 |
| 22 | 124 | 70 |
| 26 | 142 | 84 |
| 31 | 167 | 104 |
| 38 | 198 | 120 |
| 44 | 232 | 148 |
| 51 | 269 | 179 |
| 61 | 275 | 179 |
| 63 | 359 | 228 |

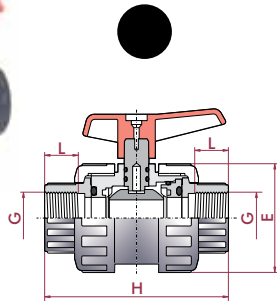
UP. 61. FT6 - STANDARD BALL VALVE

"Standard" ball valve

- PVC-U body
- BSP female thread
- Ball seat in PTFE
- O-Rings in EPDM
- Black dot

Válvula de bola "Standard"

- Cuerpo en PVC-U
- Rosca hembra BSP
- Juntas asiento bola en PTFE
- Anillos tóricos en EPDM
- Distintivo negro



| G | DN | PN | REF. | CODE |
|--------|-----|----|-----------|--------------|
| 3/8" | 10 | 16 | 05 61 616 | 05357 |
| 1/2" | 15 | 16 | 05 61 620 | 02478 |
| 3/4" | 20 | 16 | 05 61 625 | 02479 |
| 1" | 25 | 16 | 05 61 632 | 02480 |
| 1 1/4" | 32 | 16 | 05 61 640 | 02481 |
| 1 1/2" | 40 | 16 | 05 61 650 | 02482 |
| 2" | 50 | 16 | 05 61 663 | 02483 |
| 2 1/2" | 65 | 10 | 05 61 675 | 02484 |
| 3" | 80 | 10 | 05 61 690 | 02485 |
| 4" | 80 | 10 | 05 61 710 | 05358 |
| 4" | 100 | 10 | 05 61 711 | 22066 |

| L | H | E |
|----|-----|-----|
| 14 | 84 | 52 |
| 16 | 84 | 52 |
| 19 | 108 | 62 |
| 22 | 124 | 70 |
| 26 | 142 | 84 |
| 31 | 167 | 104 |
| 38 | 198 | 120 |
| 44 | 232 | 148 |
| 51 | 269 | 179 |
| 61 | 275 | 179 |
| 63 | 359 | 228 |

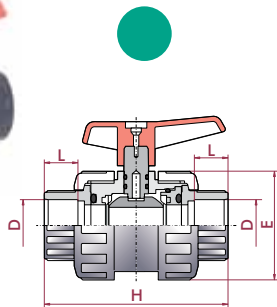
UP. 61. SF7 - STANDARD BALL VALVE

"Standard" ball valve

- PVC-U body
- Female solvent socket
- Metric series
- Ball seat in PTFE
- O-Rings in FPM
- Green dot

Válvula de bola "Standard"

- Cuerpo en PVC-U
- Encolar hembra
- Serie métrica
- Juntas asiento bola en PTFE
- Anillos tóricos en FPM
- Distintivo verde



| D | DN | PN | REF. | CODE |
|-----|-----|----|--------------|--------------|
| 16 | 10 | 16 | 05 61 016 VI | 05359 |
| 20 | 15 | 16 | 05 61 020 VI | 02486 |
| 25 | 20 | 16 | 05 61 025 VI | 02487 |
| 32 | 25 | 16 | 05 61 032 VI | 02488 |
| 40 | 32 | 16 | 05 61 040 VI | 02489 |
| 50 | 40 | 16 | 05 61 050 VI | 02490 |
| 63 | 50 | 16 | 05 61 063 VI | 02491 |
| 75 | 65 | 10 | 05 61 075 VI | 02492 |
| 90 | 80 | 10 | 05 61 090 VI | 02493 |
| 110 | 80 | 10 | 05 61 110 VI | 05360 |
| 110 | 100 | 10 | 05 61 111 VI | 26442 |

| L | H | E |
|----|-----|-----|
| 14 | 84 | 52 |
| 16 | 84 | 52 |
| 19 | 108 | 62 |
| 22 | 124 | 70 |
| 26 | 142 | 84 |
| 31 | 167 | 104 |
| 38 | 198 | 120 |
| 44 | 232 | 148 |
| 51 | 269 | 179 |
| 61 | 275 | 179 |
| 63 | 359 | 228 |

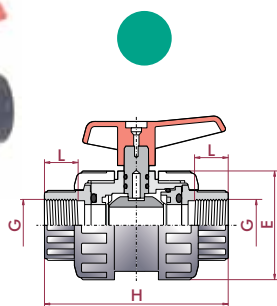
UP. 61. FT7 - STANDARD BALL VALVE

"Standard" ball valve

- PVC-U body
- BSP female thread
- Ball seat in PTFE
- O-Rings in FPM
- Green dot

Válvula de bola "Standard"

- Cuerpo en PVC-U
- Rosca hembra BSP
- Juntas asiento bola en PTFE
- Anillos tóricos en FPM
- Distintivo verde



| G | DN | PN | REF. | CODE |
|--------|-----|----|--------------|--------------|
| 3/8" | 10 | 16 | 05 61 616 VI | 05361 |
| 1/2" | 15 | 16 | 05 61 620 VI | 02494 |
| 3/4" | 20 | 16 | 05 61 625 VI | 02495 |
| 1" | 25 | 16 | 05 61 632 VI | 02496 |
| 1 1/4" | 32 | 16 | 05 61 640 VI | 02497 |
| 1 1/2" | 40 | 16 | 05 61 650 VI | 02498 |
| 2" | 50 | 16 | 05 61 663 VI | 02499 |
| 2 1/2" | 65 | 10 | 05 61 675 VI | 02500 |
| 3" | 80 | 10 | 05 61 690 VI | 02501 |
| 4" | 80 | 10 | 05 61 710 VI | 05362 |
| 4" | 100 | 10 | 05 61 711 VI | 26443 |

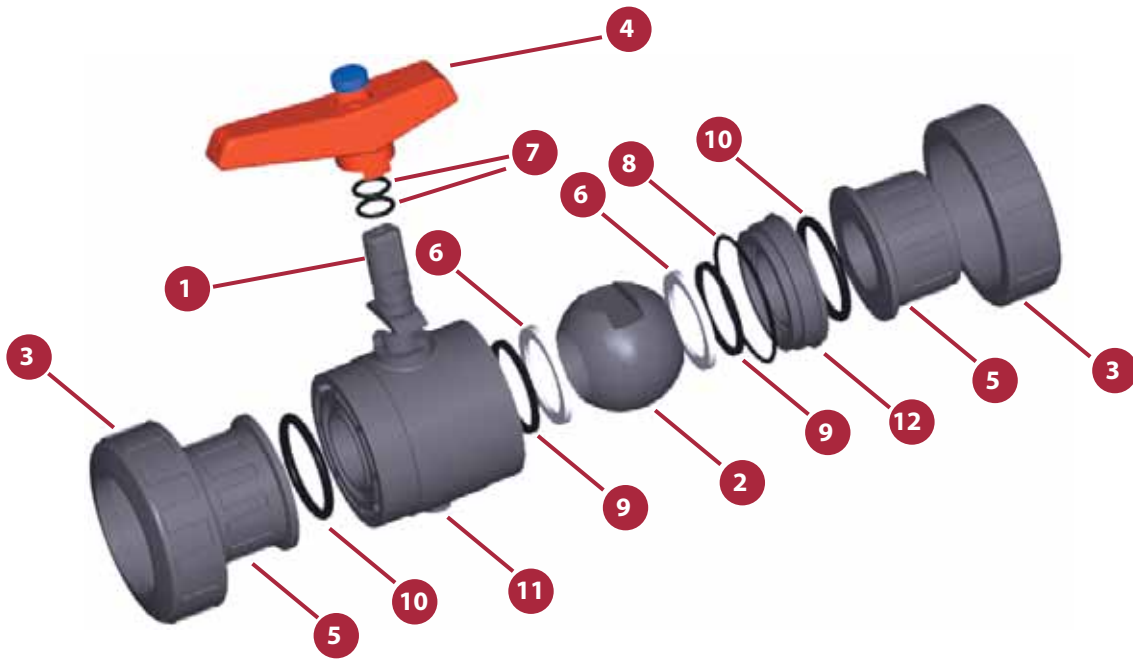
| L | H | E |
|----|-----|-----|
| 14 | 84 | 52 |
| 16 | 84 | 52 |
| 19 | 108 | 62 |
| 22 | 124 | 70 |
| 26 | 142 | 84 |
| 31 | 167 | 104 |
| 38 | 198 | 120 |
| 44 | 232 | 148 |
| 51 | 269 | 179 |
| 61 | 275 | 179 |
| 63 | 359 | 228 |

PVC-U BALL VALVES - STANDARD SERIES

VÁLVULAS DE BOLA PVC-U - SERIE STANDARD

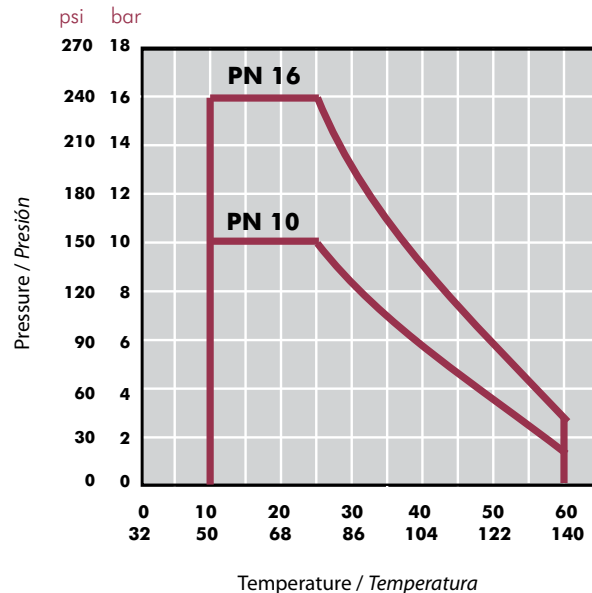


| | | |
|------------------------------|--|---|
| Sizes | Solvent cement D16 - D110 (DN10-DN100) Threaded 3/8" - 4" | |
| Standards | Solvent socket - Metric, British Standard, ASTM, JIS Threaded - BSP, NPT Compression - metric, IPS, CTS | EN ISO 1452, EN ISO 15493, BS 4346-1, ASTM D 2467, JIS K 6743 ISO 228-1, ASTM D 2464 |
| Working pressure | @ 20°C (73°F) D16 - D63 (3/8" - 2"): PN 16 (240 psi) D75 - D110 (2 1/2" - 4"): PN 10 (150 psi) | |
| Materials | O-rings: EPDM / FPM | Ball seats: HDPE / PTFE |
| Characteristics | <ul style="list-style-type: none"> • "Antiblock" system that avoids ball blockage. • 100% factory tested. • Minimal pressure drop. • Low operating torque. • Resistance to many inorganic chemicals. • Excellent flow characteristics. | <ul style="list-style-type: none"> • Sistema "Antiblock" que evita el bloqueo de la bola. • Probadas al 100% en fábrica. • Mínima pérdida de carga. • Bajo par de maniobra de apertura y cierre. • Resistencia a múltiples sustancias químicas inorgánicas. • Excelentes características de conducción. |
| Certifications / regulations | Ball valve design regulation - EN ISO 16135 NSF National Sanitation Foundation (USA) NSF 61 3/8" thru 4" Socketed 3/8" thru 4" Threaded ASTM F1970 | |



| FIG. | Parts | Despiece | Material |
|------|----------------------|---------------------|-------------|
| 1 | Shaft | Eje | PVC-U |
| 2 | Ball | Bola | PVC-U |
| 3 | Union nut | Tuerca | PVC-U |
| 4 | Handle | Conjunto maneta | PP |
| 5 | End connector | Manguito enlace | PVC-U |
| 6 | Ball seat | Asiento bola | HDPE / PTFE |
| 7 | Shaft o-ring | Junta eje | EPDM / FPM |
| 8 | Body o-ring | Junta cuerpo | EPDM / FPM |
| 9 | Dampener seal | Junta amortiguación | EPDM / FPM |
| 10 | End connector o-ring | Junta manguito | EPDM / FPM |
| 11 | Body | Cuerpo | PVC-U |
| 12 | Seal-carrier | Portajuntas | PVC-U |

PRESSURE / TEMPERATURE GRAPH
DIAGRAMA PRESIÓN / TEMPERATURA

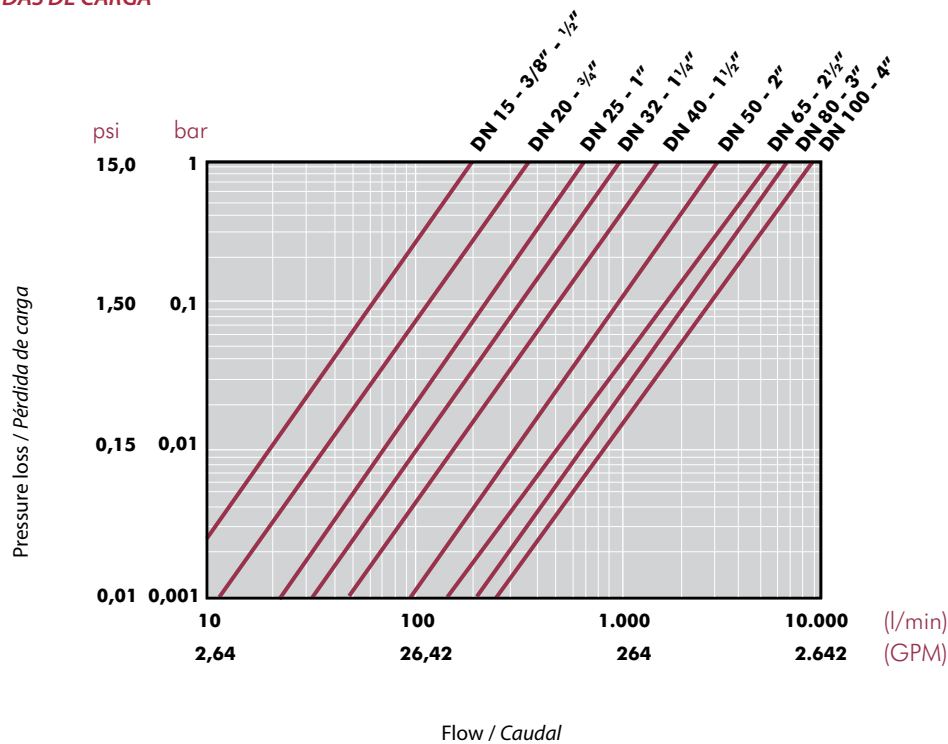


Life: 25 years
 Hydrostatic maximum pressure a component may withstand in continuous service (without overpressure)

Vida útil: 25 años
 Presión hidrostática máxima que un componente es capaz de soportar en servicio continuo (sin sobrepresión)

PRESSURE LOSS DIAGRAM

DIAGRAMA DE PÉRDIDAS DE CARGA



RELATIVE FLOW

FLUJO RELATIVO

| | | | | | | | | | | |
|-------------------|---------|---------|---------|-------|-----------|-----------|-------|-----------|-------|--------|
| D | 16-3/8" | 20-1/2" | 25-3/4" | 32-1" | 40-1 1/4" | 50-1 1/2" | 63-2" | 75-2 1/2" | 90-3" | 110-4" |
| DN | 10 | 15 | 20 | 25 | 32 | 40 | 50 | 65 | 80 | 100 |
| Kv ₁₀₀ | 75 | 190 | 380 | 690 | 980 | 1.600 | 3.000 | 5.500 | 6.800 | 8900 |
| Cv | 5,3 | 13,3 | 26,6 | 48,3 | 68,6 | 112 | 210,1 | 385,2 | 476,2 | 623,2 |

$Cv = Kv_{100} / 14,28$
 Kv_{100} (l/min, Δp = 1 bar)
 Cv (GPM, Δp = 1 psi)

TORQUE GRAPH

DIAGRAMA DE PAR

| | | | | | | | | | | |
|--------|---------|---------|---------|-------|-----------|-----------|-------|-----------|-------|--------|
| D | 16-3/8" | 20-1/2" | 25-3/4" | 32-1" | 40-1 1/4" | 50-1 1/2" | 63-2" | 75-2 1/2" | 90-3" | 110-4" |
| DN | 10 | 15 | 20 | 25 | 32 | 40 | 50 | 65 | 80 | 100 |
| Nm | 1 | 1 | 2 | 3,5 | 3,5 | 5 | 15 | 25 | 45 | 60 |
| in-lbf | 8,9 | 8,9 | 17,7 | 31 | 31 | 44,3 | 132,8 | 221,3 | 398,3 | 531 |

Operating torque values at rated pressure (PN) and 20 °C in as new direct from the factory condition. Installation and operating conditions (pressure and temperature) will affect these values. The actuator that is required for an automatic operation must be calculated according to some safety factors that were determined in life tests carried out in the factory.

Los valores de par de giro se determinan a presión nominal (PN) y a 20 °C, en condiciones de salida de fábrica. Las condiciones de instalación y operación (presión y temperatura) afectarán a estos valores. El actuador requerido para automatizar el giro debe ser calculado teniendo en cuenta ciertos coeficientes de seguridad que han sido determinados en pruebas de fatiga realizadas en fábrica.

ASSEMBLY INSTRUCTIONS

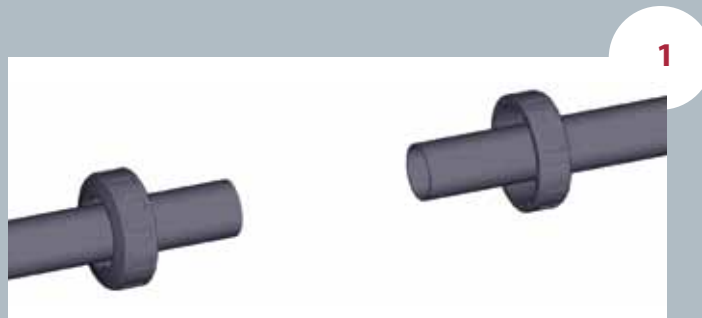
Solvent socket or threaded unions

Loosen the valve union nuts (3) and separate these and the end connectors (5) from the valve body. Pass the pipe through the nuts and then place the bushes over the end of the pipe. The socket unions should be glued onto the pipe using a PVC-U or PVC-C adhesive and pressure should not be applied to the system until a drying period of at least 1 hour per bar of working pressure has elapsed. In the case of threaded unions, PTFE tape should be applied to the male threads. The pipes can now be attached to the valve by hand tightening down the nuts.

INSTRUCCIONES DE MONTAJE

Uniones encoladas o roscadas

Afloje las tuercas (3) de la válvula y sepárelas de los manguitos (5). Introduzca las tuercas en los tubos y a continuación fije los manguitos en los extremos del tubo. Las uniones encoladas se realizarán con un adhesivo para tubos de PVC-U o PVC-C rígido y no se aplicará presión hasta transcurridas al menos 1 hora por bar. En las uniones roscadas se colocará cinta de PTFE en las roscas macho. A continuación ya podrá colocarse la válvula entre los manguitos y apretar a mano las tuercas sobre la válvula.



1



2



3



4



5

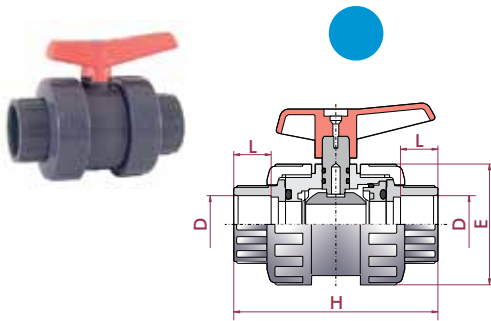
UP. 60. SF5. BS - PVC-U STANDARD BALL VALVE

"Standard" ball valve

- PVC-U body
- Female solvent socket
- British Standard series
- Ball seat in HDPE
- O-Rings in EPDM
- Blue dot

Válvula de bola "Standard"

- Cuerpo en PVC-U
- Encolar hembra
- Serie British Standard
- Juntas asiento bola en HDPE
- Anillos tóricos en EPDM
- Distintivo azul



| D | DN | PN | REF. | CODE |
|------------|-----|----|------------------------|--------------|
| 3/8" | 10 | 16 | 05 60 900 | 07265 |
| 1/2" | 15 | 16 | 05 60 901 | 07266 |
| 3/4" | 20 | 16 | 05 60 902 | 07267 |
| 1" | 25 | 16 | 05 60 903 | 07268 |
| 1 1/4" | 32 | 16 | 05 60 904 | 07269 |
| 1 1/2" | 40 | 16 | 05 60 905 | 07270 |
| 2" | 50 | 16 | 05 60 906 | 07271 |
| 2 1/2" | 65 | 10 | 05 60 075 ^M | 02459 |
| 3" | 80 | 10 | 05 60 908 | 07273 |
| 4" (DN 80) | 80 | 10 | 05 60 910 | 07274 |
| 4" | 100 | 10 | 05 60 911 | 27251 |

| L | H | E |
|----|-----|-----|
| 16 | 84 | 52 |
| 16 | 84 | 52 |
| 19 | 108 | 62 |
| 22 | 124 | 70 |
| 26 | 142 | 84 |
| 31 | 167 | 104 |
| 38 | 198 | 120 |
| 44 | 232 | 148 |
| 51 | 269 | 179 |
| 61 | 275 | 179 |
| 63 | 359 | 228 |

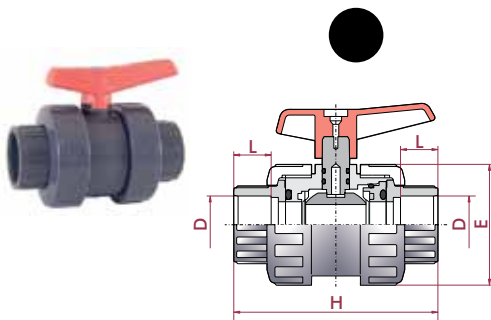
UP. 61. SF6. BS - PVC-U STANDARD BALL VALVE

"Standard" ball valve

- PVC-U body
- Female solvent socket
- British Standard series
- Ball seat in PTFE
- O-Rings in EPDM
- Black dot

Válvula de bola "Standard"

- Cuerpo en PVC-U
- Encolar hembra
- Serie British Standard
- Juntas asiento bola en PTFE
- Anillos tóricos en EPDM
- Distintivo negro



| D | DN | PN | REF. | CODE |
|------------|-----|----|------------------------|--------------|
| 3/8" | 10 | 16 | 05 61 900 | 07275 |
| 1/2" | 15 | 16 | 05 61 901 | 07276 |
| 3/4" | 20 | 16 | 05 61 902 | 07277 |
| 1" | 25 | 16 | 05 61 903 | 07278 |
| 1 1/4" | 32 | 16 | 05 61 904 | 07279 |
| 1 1/2" | 40 | 16 | 05 61 905 | 07280 |
| 2" | 50 | 16 | 05 61 906 | 07281 |
| 2 1/2" | 65 | 10 | 05 61 075 ^M | 02476 |
| 3" | 80 | 10 | 05 61 908 | 07283 |
| 4" (DN 80) | 80 | 10 | 05 61 910 | 07284 |
| 4" | 100 | 10 | 05 61 911 | 27252 |

| L | H | E |
|----|-----|-----|
| 16 | 84 | 52 |
| 16 | 84 | 52 |
| 19 | 108 | 62 |
| 22 | 124 | 70 |
| 26 | 142 | 84 |
| 31 | 167 | 104 |
| 38 | 198 | 120 |
| 44 | 232 | 148 |
| 51 | 269 | 179 |
| 61 | 275 | 179 |
| 63 | 359 | 228 |

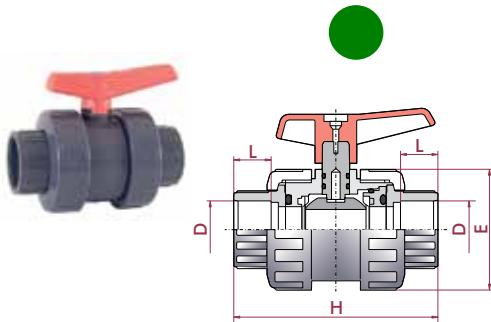
UP. 61. SF7. BS - PVC-U STANDARD BALL VALVE

"Standard" ball valve

- PVC-U body
- Female solvent socket
- British Standard series
- Ball seat in PTFE
- O-Rings in FPM
- Green dot

Válvula de bola "Standard"

- Cuerpo en PVC-U
- Encolar hembra
- Serie British Standard
- Juntas asiento bola en PTFE
- Anillos tóricos en FPM
- Distintivo verde



| D | DN | PN | REF. | CODE |
|------------|-----|----|---------------------------|--------------|
| 3/8" | 10 | 16 | 05 61 900 VI | 21086 |
| 1/2" | 15 | 16 | 05 61 901 VI | 21087 |
| 3/4" | 20 | 16 | 05 61 902 VI | 21088 |
| 1" | 25 | 16 | 05 61 903 VI | 21089 |
| 1 1/4" | 32 | 16 | 05 61 904 VI | 21090 |
| 1 1/2" | 40 | 16 | 05 61 905 VI | 21091 |
| 2" | 50 | 16 | 05 61 906 VI | 21092 |
| 2 1/2" | 65 | 10 | 05 61 075 VI ^M | 02492 |
| 3" | 80 | 10 | 05 61 908 VI | 21093 |
| 4" (DN 80) | 80 | 10 | 05 61 910 VI | 21094 |
| 4" | 100 | 10 | 05 61 911 VI | 27253 |

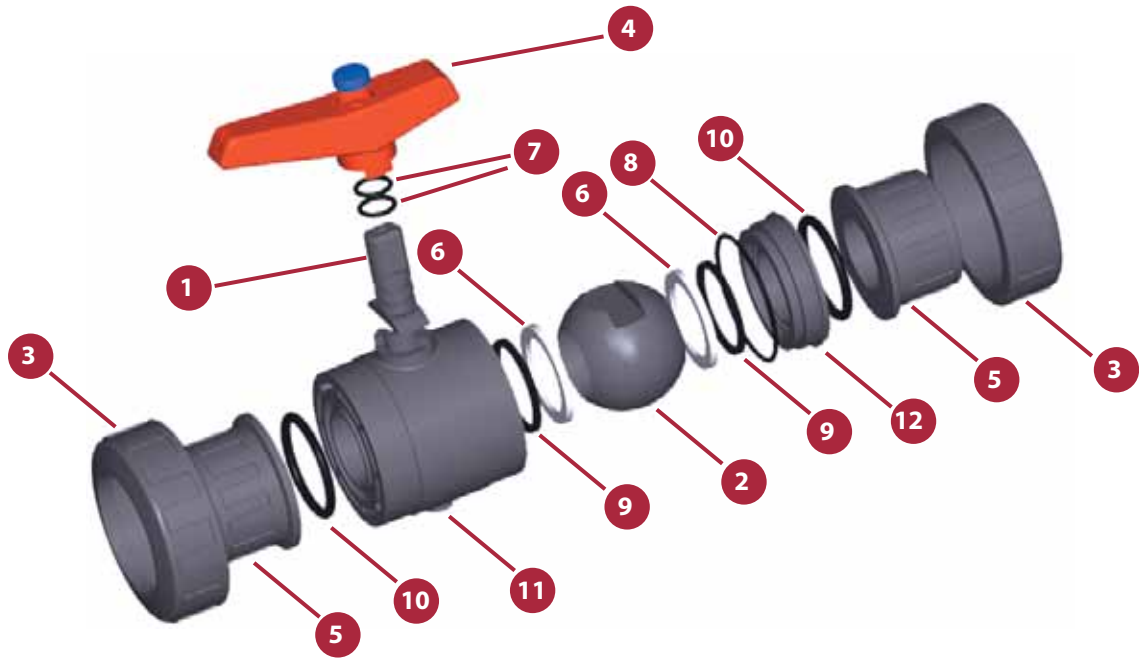
| L | H | E |
|----|-----|-----|
| 16 | 84 | 52 |
| 16 | 84 | 52 |
| 19 | 108 | 62 |
| 22 | 124 | 70 |
| 26 | 142 | 84 |
| 31 | 167 | 104 |
| 38 | 198 | 120 |
| 44 | 232 | 148 |
| 51 | 269 | 179 |
| 61 | 275 | 179 |
| 63 | 359 | 228 |

PVC-U BALL VALVES - STANDARD SERIES

VÁLVULAS DE BOLA PVC-U - SERIE STANDARD

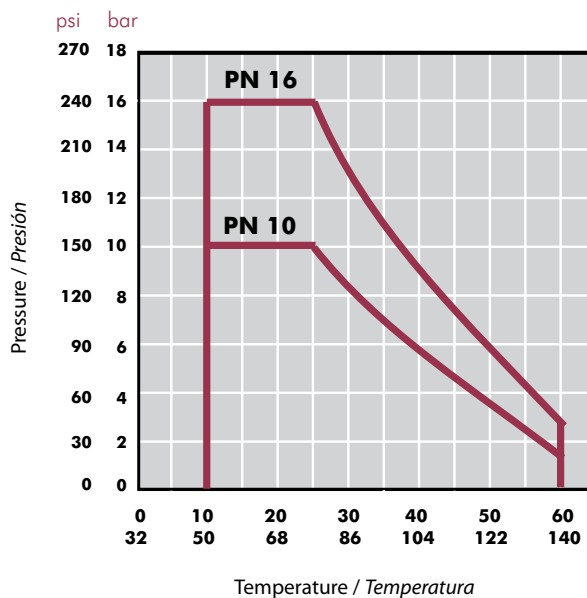


| | | |
|------------------------------|--|---|
| Sizes | Solvent cement D16 - D110 (DN10-DN100) Threaded 3/8" - 4" | |
| Standards | Solvent socket - Metric, British Standard, ASTM, JIS Threaded - BSP, NPT Compression - metric, IPS, CTS | EN ISO 1452, EN ISO 15493, BS 4346-1, ASTM D 2467, JIS K 6743 ISO 228-1, ASTM D 2464 |
| Working pressure | @ 20°C (73°F) D16 - D63 (3/8" - 2"): PN 16 (240 psi) D75 - D110 (2 1/2" - 4"): PN 10 (150 psi) | |
| Materials | O-rings: EPDM / FPM | Ball seats: HDPE / PTFE |
| Characteristics | <ul style="list-style-type: none"> • "Antiblock" system that avoids ball blockage. • 100% factory tested. • Minimal pressure drop. • Low operating torque. • Resistance to many inorganic chemicals. • Excellent flow characteristics. | <ul style="list-style-type: none"> • Sistema "Antiblock" que evita el bloqueo de la bola. • Probadas al 100% en fábrica. • Mínima pérdida de carga. • Bajo par de maniobra de apertura y cierre. • Resistencia a múltiples sustancias químicas inorgánicas. • Excelentes características de conducción. |
| Certifications / regulations | Ball valve design regulation - EN ISO 16135 NSF National Sanitation Foundation (USA) NSF 61 3/8" thru 4" Socketed 3/8" thru 4" Threaded ASTM F1970 | |



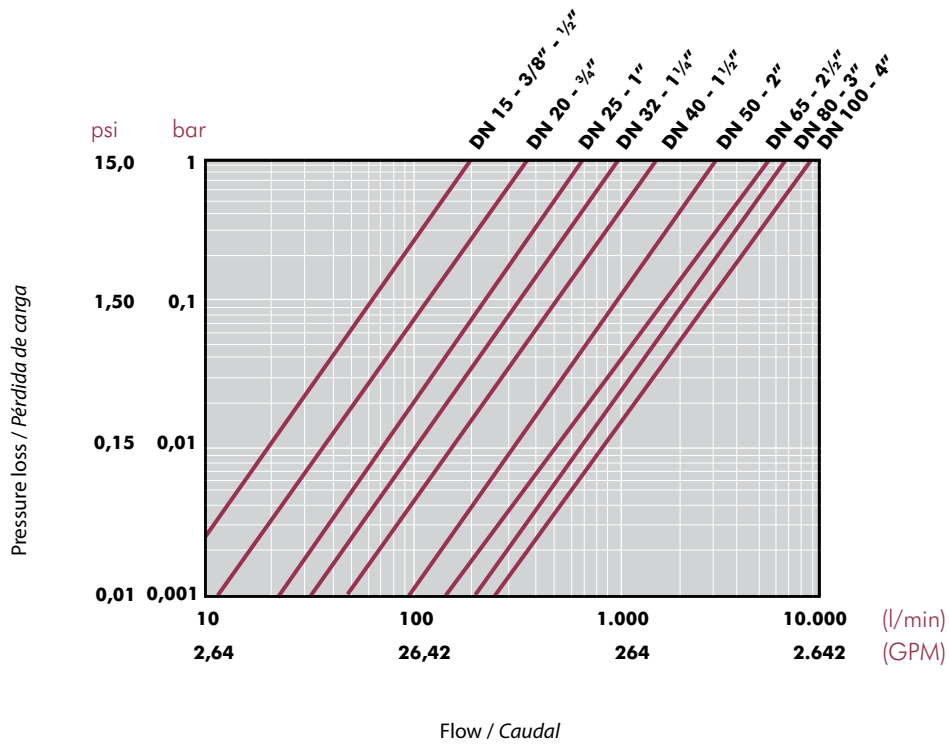
| FIG. | Parts | Despiece | Material |
|------|----------------------|---------------------|-------------|
| 1 | Shaft | Eje | PVC-U |
| 2 | Ball | Bola | PVC-U |
| 3 | Union nut | Tuerca | PVC-U |
| 4 | Handle | Conjunto maneta | PP |
| 5 | End connector | Manguito enlace | PVC-U |
| 6 | Ball seat | Asiento bola | HDPE / PTFE |
| 7 | Shaft o-ring | Junta eje | EPDM / FPM |
| 8 | Body o-ring | Junta cuerpo | EPDM / FPM |
| 9 | Dampener seal | Junta amortiguación | EPDM / FPM |
| 10 | End connector o-ring | Junta manguito | EPDM / FPM |
| 11 | Body | Cuerpo | PVC-U |
| 12 | Seal-carrier | Portajuntas | PVC-U |

PRESSURE / TEMPERATURE GRAPH
DIAGRAMA PRESIÓN / TEMPERATURA



Life: 25 years
 Hydrostatic maximum pressure a component may withstand in continuous service (without overpressure)

Vida útil: 25 años
 Presión hidrostática máxima que un componente es capaz de soportar en servicio continuo (sin sobrepresión)

PRESSURE LOSS DIAGRAM
DIAGRAMA DE PÉRDIDAS DE CARGA

RELATIVE FLOW
FLUJO RELATIVO

| D | 16-3/8" | 20-1/2" | 25-3/4" | 32-1" | 40-1 1/4" | 50-1 1/2" | 63-2" | 75-2 1/2" | 90-3" | 110-4" |
|-------------------|---------|---------|---------|-------|-----------|-----------|-------|-----------|-------|--------|
| DN | 10 | 15 | 20 | 25 | 32 | 40 | 50 | 65 | 80 | 100 |
| Kv ₁₀₀ | 75 | 190 | 380 | 690 | 980 | 1.600 | 3.000 | 5.500 | 6.800 | 8900 |
| Cv | 5,3 | 13,3 | 26,6 | 48,3 | 68,6 | 112 | 210,1 | 385,2 | 476,2 | 623,2 |

$$Cv = Kv_{100} / 14,28$$

$$Kv_{100} \text{ (l/min, } \Delta p = 1 \text{ bar)}$$

$$Cv \text{ (GPM, } \Delta p = 1 \text{ psi)}$$

TORQUE GRAPH
DIAGRAMA DE PAR

| D | 16-3/8" | 20-1/2" | 25-3/4" | 32-1" | 40-1 1/4" | 50-1 1/2" | 63-2" | 75-2 1/2" | 90-3" | 110-4" |
|-------|---------|---------|---------|-------|-----------|-----------|-------|-----------|-------|--------|
| DN | 10 | 15 | 20 | 25 | 32 | 40 | 50 | 65 | 80 | 100 |
| Nm | 1 | 1 | 2 | 3,5 | 3,5 | 5 | 15 | 25 | 45 | 60 |
| in/lb | 8,9 | 8,9 | 17,7 | 31 | 31 | 44,3 | 132,8 | 221,3 | 398,3 | 531 |

Operating torque values at rated pressure (PN) and 20 °C in as new direct from the factory condition. Installation and operating conditions (pressure and temperature) will affect these values. The actuator that is required for an automatic operation must be calculated according to some safety factors that were determined in life tests carried out in the factory.

Los valores de par de giro se determinan a presión nominal (PN) y a 20 °C, en condiciones de salida de fábrica. Las condiciones de instalación y operación (presión y temperatura) afectarán a estos valores. El actuador requerido para automatizar el giro debe ser calculado teniendo en cuenta ciertos coeficientes de seguridad que han sido determinados en pruebas de fatiga realizadas en fábrica.

ASSEMBLY INSTRUCTIONS

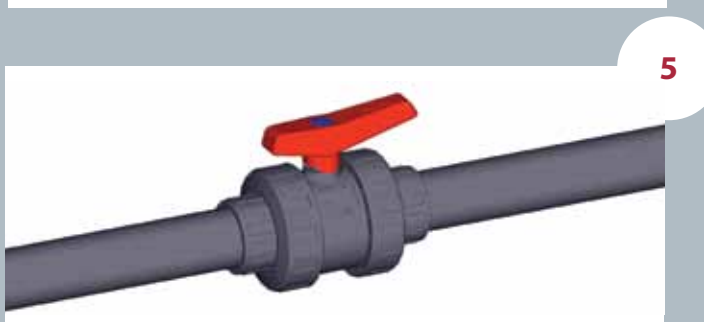
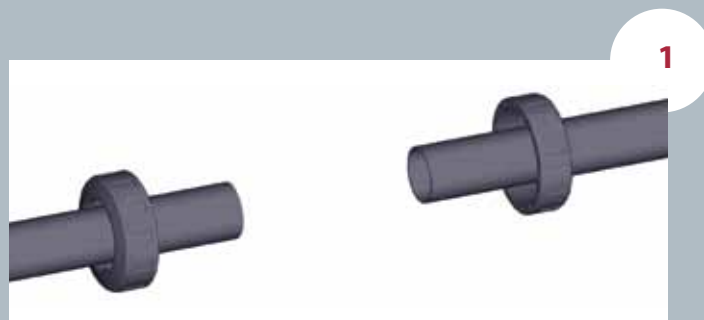
Solvent socket or threaded unions

Loosen the valve union nuts (3) and separate these and the end connectors (5) from the valve body. Pass the pipe through the nuts and then place the bushes over the end of the pipe. The socket unions should be guided onto the pipe using a PVC-U or CPVC adhesive and pressure should not be applied to the system until a drying period of at least 1 hour per bar of working pressure has elapsed. In the case of threaded unions, PTFE tape should be applied to the male threads. The pipes can now be attached to the valve by hand tightening down the nuts.

INSTRUCCIONES DE MONTAJE

Uniones encoladas o roscadas

Afloje las tuercas (3) de la válvula y sepárelas de los manguitos (5). Introduzca las tuercas en los tubos y a continuación fije los manguitos en los extremos del tubo. Las uniones encoladas se realizarán con un adhesivo para tubos de PVC-U o CPVC rígido y no se aplicará presión hasta transcurridas al menos 1 hora por bar. En las uniones roscadas se colocará cinta de PTFE en las roscas macho. A continuación ya podrá colocarse la válvula entre los manguitos y apretar a mano las tuercas sobre la válvula.

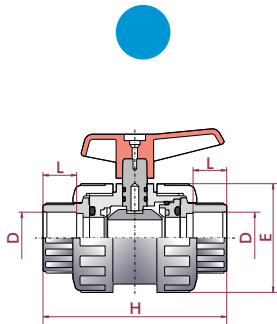


UP. 60. SF5. MA - PVC-U STANDARD BALL VALVE
"Standard" ball valve

- PVC-U body
- Female solvent socket
- ASTM series
- Ball seat in HDPE
- O-Rings in EPDM
- Blue dot

Válvula de bola "Standard"

- Cuerpo en PVC-U
- Encolar hembra
- Serie ASTM
- Juntas asiento bola en HDPE
- Anillos tóricos en EPDM
- Distintivo azul



| D | DN | PN | REF. | CODE |
|--------|-----|----|--------------|--------------|
| 3/8" | 15 | 16 | 05 60 900 MA | 07375 |
| 1/2" | 15 | 16 | 05 60 901 MA | 06614 |
| 3/4" | 20 | 16 | 05 60 902 MA | 06615 |
| 1" | 25 | 16 | 05 60 903 MA | 06616 |
| 1 1/4" | 32 | 16 | 05 60 904 MA | 06617 |
| 1 1/2" | 40 | 16 | 05 60 905 MA | 06618 |
| 2" | 50 | 16 | 05 60 906 MA | 06619 |
| 2 1/2" | 65 | 10 | 05 60 907 MA | 06620 |
| 3" | 80 | 10 | 05 60 908 MA | 07088 |
| 4" | 80 | 10 | 05 60 910 MA | 07377 |
| 4" | 100 | 10 | 05 60 911 MA | 22068 |

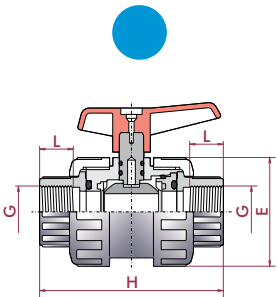
| L | H | E |
|----|-----|-----|
| 14 | 84 | 52 |
| 16 | 84 | 52 |
| 19 | 108 | 62 |
| 22 | 124 | 70 |
| 26 | 142 | 84 |
| 31 | 167 | 104 |
| 38 | 198 | 120 |
| 44 | 232 | 148 |
| 51 | 269 | 179 |
| 61 | 275 | 179 |
| 63 | 359 | 228 |

UP. 60. FT5 - PVC-U STANDARD BALL VALVE
"Standard" ball valve

- PVC-U body
- NPT female thread
- Ball seat in HPDE
- O-Rings in EPDM
- Blue dot

Válvula de bola "Standard"

- Cuerpo en PVC-U
- Rosca hembra NPT
- Juntas asiento bola en HPDE
- Anillos tóricos en EPDM
- Distintivo azul



| G | DN | PN | REF. | CODE |
|--------|-----|----|-----------|--------------|
| 3/8" | 15 | 16 | 05 60 800 | 07376 |
| 1/2" | 15 | 16 | 05 60 801 | 07089 |
| 3/4" | 20 | 16 | 05 60 802 | 07090 |
| 1" | 25 | 16 | 05 60 803 | 07091 |
| 1 1/4" | 32 | 16 | 05 60 804 | 07092 |
| 1 1/2" | 40 | 16 | 05 60 805 | 07093 |
| 2" | 50 | 16 | 05 60 806 | 07094 |
| 2 1/2" | 65 | 10 | 05 60 807 | 07095 |
| 3" | 80 | 10 | 05 60 808 | 07096 |
| 4" | 80 | 10 | 05 60 810 | 07378 |
| 4" | 100 | 10 | 05 60 811 | 22067 |

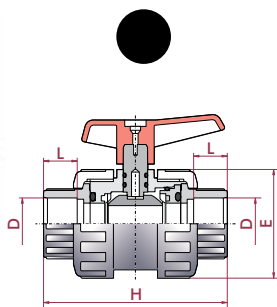
| L | H | E |
|----|-----|-----|
| 14 | 84 | 52 |
| 16 | 84 | 52 |
| 19 | 108 | 62 |
| 22 | 124 | 70 |
| 26 | 142 | 84 |
| 31 | 167 | 104 |
| 38 | 198 | 120 |
| 44 | 232 | 148 |
| 51 | 269 | 179 |
| 61 | 275 | 179 |
| 63 | 359 | 228 |

UP. 61. SF6. MA - PVC-U STANDARD BALL VALVE
"Standard" ball valve

- PVC-U body
- Female solvent socket
- ASTM series
- Ball seat in PTFE
- O-Rings in EPDM
- Black dot

Válvula de bola "Standard"

- Cuerpo en PVC-U
- Encolar hembra
- Serie ASTM
- Juntas asiento bola en PTFE
- Anillos tóricos en EPDM
- Distintivo negro



| D | DN | PN | REF. | CODE |
|--------|-----|----|--------------|--------------|
| 3/8" | 15 | 16 | 05 61 900 MA | 07379 |
| 1/2" | 15 | 16 | 05 61 901 MA | 07380 |
| 3/4" | 20 | 16 | 05 61 902 MA | 07381 |
| 1" | 25 | 16 | 05 61 903 MA | 07382 |
| 1 1/4" | 32 | 16 | 05 61 904 MA | 07383 |
| 1 1/2" | 40 | 16 | 05 61 905 MA | 07384 |
| 2" | 50 | 16 | 05 61 906 MA | 07385 |
| 2 1/2" | 65 | 10 | 05 61 907 MA | 07386 |
| 3" | 80 | 10 | 05 61 908 MA | 07387 |
| 4" | 80 | 10 | 05 61 910 MA | 07388 |
| 4" | 100 | 10 | 05 61 911 MA | 24396 |

| L | H | E |
|----|-----|-----|
| 14 | 84 | 52 |
| 16 | 84 | 52 |
| 19 | 108 | 62 |
| 22 | 124 | 70 |
| 26 | 142 | 84 |
| 31 | 167 | 104 |
| 38 | 198 | 120 |
| 44 | 232 | 148 |
| 51 | 269 | 179 |
| 61 | 275 | 179 |
| 63 | 359 | 228 |

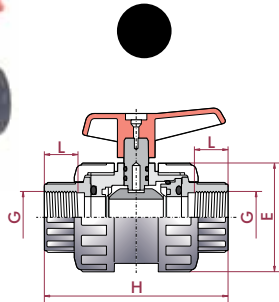
UP. 61. FT6. MA - PVC-U STANDARD BALL VALVE

"Standard" ball valve

- PVC-U body
- NPT female thread
- Ball seat in PTFE
- O-Rings in EPDM
- Black dot

Válvula de bola "Standard"

- Cuerpo en PVC-U
- Rosca hembra NPT
- Juntas asiento bola en PTFE
- Anillos tóricos en EPDM
- Distintivo negro



| G | DN | PN | REF. | CODE |
|--------|-----|----|-----------|--------------|
| 3/8" | 15 | 16 | 05 61 800 | 07389 |
| 1/2" | 15 | 16 | 05 61 801 | 07390 |
| 3/4" | 20 | 16 | 05 61 802 | 07391 |
| 1" | 25 | 16 | 05 61 803 | 07392 |
| 1 1/4" | 32 | 16 | 05 61 804 | 07393 |
| 1 1/2" | 40 | 16 | 05 61 805 | 07394 |
| 2" | 50 | 16 | 05 61 806 | 07395 |
| 2 1/2" | 65 | 10 | 05 61 807 | 07396 |
| 3" | 80 | 10 | 05 61 808 | 07397 |
| 4" | 80 | 10 | 05 61 810 | 07398 |
| 4" | 100 | 10 | 05 61 811 | 24395 |

| L | H | E |
|----|-----|-----|
| 14 | 84 | 52 |
| 16 | 84 | 52 |
| 19 | 108 | 62 |
| 22 | 124 | 70 |
| 26 | 142 | 84 |
| 31 | 167 | 104 |
| 38 | 198 | 120 |
| 44 | 232 | 148 |
| 51 | 269 | 179 |
| 61 | 275 | 179 |
| 63 | 359 | 228 |

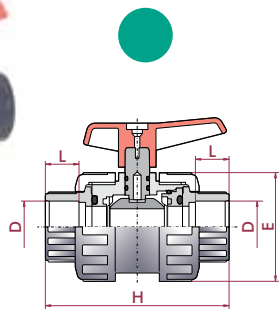
UP. 61. SF7. MA - PVC-U STANDARD BALL VALVE

"Standard" ball valve

- PVC-U body
- Female solvent socket
- ASTM series
- Ball seat in PTFE
- O-Rings in FPM
- Green dot

Válvula de bola "Standard"

- Cuerpo en PVC-U
- Encolar hembra
- Serie ASTM
- Juntas asiento bola en PTFE
- Anillos tóricos en FPM
- Distintivo verde



| D | DN | PN | REF. | CODE |
|--------|-----|----|--------------|-----------------|
| 3/8" | 15 | 16 | 05 61 900 AV | 07399 |
| 1/2" | 15 | 16 | 05 61 901 AV | 07400 |
| 3/4" | 20 | 16 | 05 61 902 AV | 07401 |
| 1" | 25 | 16 | 05 61 903 AV | 07402 |
| 1 1/4" | 32 | 16 | 05 61 904 AV | 07403 |
| 1 1/2" | 40 | 16 | 05 61 905 AV | 07404 |
| 2" | 50 | 16 | 05 61 906 AV | 07405 |
| 2 1/2" | 65 | 10 | 05 61 907 AV | 07406 |
| 3" | 80 | 10 | 05 61 908 AV | 07407 |
| 4" | 80 | 10 | 05 61 910 AV | 07408 |
| 4" | 100 | 10 | 05 61 911 AV | 24396VIT |

| L | H | E |
|----|-----|-----|
| 14 | 84 | 52 |
| 16 | 84 | 52 |
| 19 | 108 | 62 |
| 22 | 124 | 70 |
| 26 | 142 | 84 |
| 31 | 167 | 104 |
| 38 | 198 | 120 |
| 44 | 232 | 148 |
| 51 | 269 | 179 |
| 61 | 275 | 179 |
| 63 | 359 | 228 |

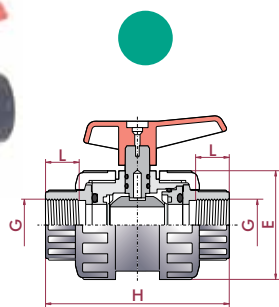
UP. 61. FT7. MA - PVC-U STANDARD BALL VALVE

"Standard" ball valve

- PVC-U body
- NPT female thread
- Ball seat in PTFE
- O-Rings in FPM
- Green dot

Válvula de bola "Standard"

- Cuerpo en PVC-U
- Rosca hembra NPT
- Juntas asiento bola en PTFE
- Anillos tóricos en FPM
- Distintivo verde



| G | DN | PN | REF. | CODE |
|--------|----|----|--------------|--------------|
| 3/8" | 15 | 16 | 05 61 800 VI | 07409 |
| 1/2" | 15 | 16 | 05 61 801 VI | 07410 |
| 3/4" | 20 | 16 | 05 61 802 VI | 07411 |
| 1" | 25 | 16 | 05 61 803 VI | 07412 |
| 1 1/4" | 32 | 16 | 05 61 804 VI | 07413 |
| 1 1/2" | 40 | 16 | 05 61 805 VI | 07414 |
| 2" | 50 | 16 | 05 61 806 VI | 07415 |
| 2 1/2" | 65 | 10 | 05 61 807 VI | 07416 |
| 3" | 80 | 10 | 05 61 808 VI | 07417 |
| 4" | 80 | 10 | 05 61 810 VI | 07418 |

| L | H | E |
|----|-----|-----|
| 14 | 84 | 52 |
| 16 | 84 | 52 |
| 19 | 108 | 62 |
| 22 | 124 | 70 |
| 26 | 142 | 84 |
| 31 | 167 | 104 |
| 38 | 198 | 120 |
| 44 | 232 | 148 |
| 51 | 269 | 179 |
| 61 | 275 | 179 |